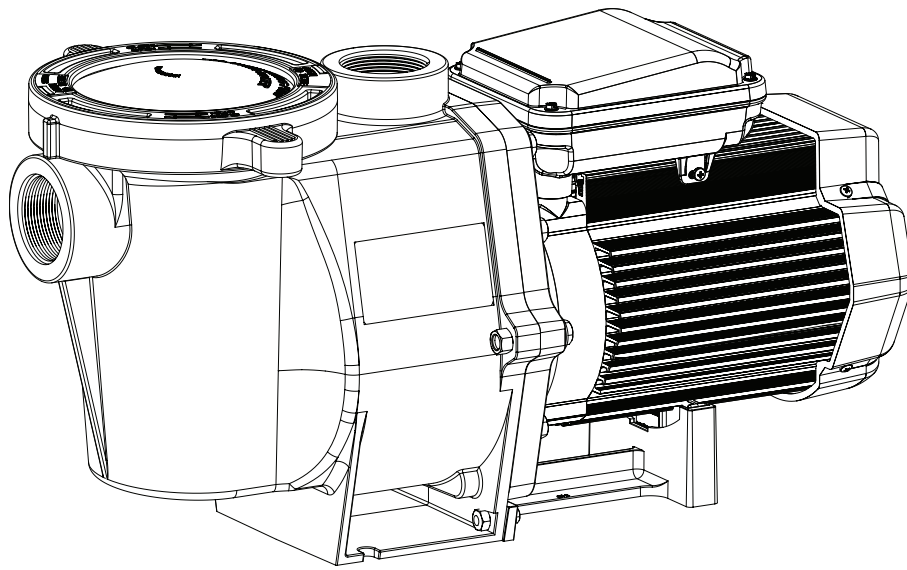




WHISPERFLO®

HIGH PERFORMANCE PUMP



ENGLISH 1

ESPAÑOL 10

INSTALLATION AND USER'S GUIDE

IMPORTANT SAFETY INSTRUCTIONS
READ AND FOLLOW ALL INSTRUCTIONS
SAVE THESE INSTRUCTIONS

CUSTOMER SERVICE / TECHNICAL SUPPORT

If you have questions about ordering Pentair replacement parts, and pool products, please contact:

Customer Service and Technical Support, USA

(8 A.M. to 4:30 P.M. — Eastern/Pacific Times)

Phone: (800) 831-7133

Fax: (800) 284-4151

Web site

Visit www.pentair.com for more information about Pentair Products.

Sanford, North Carolina (8 A.M. to 4:30 P.M. ET)

Phone: (919) 566-8000

Fax: (919) 566-8920

Moorpark, California (8 A.M. to 4:30 P.M. PT)

Phone: (805) 553-5000 (Ext. 5591)

Fax: (805) 553-5515

TABLE OF CONTENTS

Important Safety Instructions	ii	Servicing	4
Installation	1	Motor Care	4
Location	1	Shaft Seal Replacement	4
Piping	1	Pump Disassembly	4
Fittings and Valves	1	Pump Reassembly	5
Electrical Wiring Installation	2	Restart Instructions	5
Wiring	2	Priming the Pump	5
Grounding	2	Troubleshooting	6
Bonding	2	Replacement Parts	7
Maintenance	3	Illustrated Parts List	7
Pump Strainer Basket	3	Pump Performance Curves	9
Cleaning the Pump Strainer Basket	3	Español Tabla de Contenidos	11
Winterizing	3		

IMPORTANT SAFETY INSTRUCTIONS



IMPORTANT NOTICE

This guide provides installation and operation instructions for this pump. Consult Pentair with any questions regarding this equipment.

Attention Installer: This guide contains important information about the installation, operation and safe use of this product. This information should be given to the owner and/or operator of this equipment after installation or left on or near the pump.

Attention User: This manual contains important information that will help you in operating and maintaining this product. Please retain it for future reference.

READ AND FOLLOW ALL INSTRUCTIONS SAVE THESE INSTRUCTIONS



This is the safety alert symbol. When you see this symbol on your system or in this manual, look for one of the following signal words and be alert to the potential for personal injury.

⚠ DANGER

Warns about hazards that can cause death, serious personal injury, or major property damage if ignored.

⚠ WARNING

Warns about hazards that may cause death, serious personal injury, or major property damage if ignored.

⚠ CAUTION

Warns about hazards that may or can cause minor personal injury or property damage if ignored.

NOTE

Indicates special instructions not related to hazards.

Carefully read and follow all safety instructions in this manual and on equipment. Keep safety labels in good condition; replace if missing or damaged.

When installing and using this electrical equipment, basic safety precautions should always be followed, include the following:

⚠ DANGER

FAILURE TO FOLLOW ALL INSTRUCTIONS AND WARNINGS CAN RESULT IN SERIOUS BODILY INJURY OR DEATH. **THIS PUMP SHOULD BE INSTALLED AND SERVICED ONLY BY A QUALIFIED POOL SERVICE PROFESSIONAL. INSTALLERS, POOL OPERATORS AND OWNERS MUST READ THESE WARNINGS AND ALL INSTRUCTIONS IN THE OWNER'S MANUAL BEFORE USING THIS PUMP. THESE WARNINGS AND THE OWNER'S MANUAL MUST BE LEFT WITH THE POOL OWNER.**

⚠ WARNING

Do not permit children to use this product.

⚠ WARNING

RISK OF ELECTRICAL SHOCK. Connect only to a branch circuit protected by a ground-fault circuit-interrupter (GFCI). Contact a qualified electrician if you cannot verify that the circuit is protected by a GFCI.

⚠ WARNING

This unit must be connected only to a supply circuit that is protected by a ground-fault circuit-interrupter (GFCI). Such a GFCI should be provided by the installer and should be tested on a routine basis. To test the GFCI, push the test button. The GFCI should interrupt power. Push the reset button. Power should be restored. If the GFCI fails to operate in this manner, the GFCI is defective. If the GFCI interrupts power to the pump without the test button being pushed, a ground current is flowing, indicating the possibility of an electric shock. Do not use this pump. Disconnect the pump and have the problem corrected by a qualified service representative before using.

⚠ CAUTION

This pump is for use with permanent swimming pools and may also be used with hot tubs and spas if so marked. Do not use with storable pools. A permanently-installed pool is constructed in or on the ground or in a building such that it cannot be readily disassembled for storage. A storable pool is constructed so that it is capable of being readily disassembled for storage and reassembled to its original integrity.

General Warnings

- Never open the inside of the drive motor enclosure. There is a capacitor bank that holds a 230 VAC charge even when there is no power to the unit.
- The pump is not submersible.
- The pump is capable of high flow rates; use caution when installing and programming to limit pumps performance potential with old or questionable equipment.
- Code requirements for electrical connection differ from country to country, state to state, as well as local municipalities. Install equipment in accordance with the National Electrical Code and all applicable local codes and ordinances.
- Before servicing the pump; switch OFF power to the pump by disconnecting the main circuit to the pump.
- This appliance is not intended for use by persons (including children) of reduced physical, sensory or mental capabilities, or lack of experience and knowledge, unless they have been given supervision or instruction concerning the use of the appliance by a person responsible for their safety.

⚠ DANGER

SUCTION ENTRAPMENT HAZARD: STAY OFF THE MAIN DRAIN AND AWAY FROM ALL SUCTION OUTLETS! THIS PUMP IS NOT EQUIPPED WITH SAFETY VACUUM RELEASE SYSTEM (SVRS) PROTECTION AND DOES NOT PROTECT AGAINST BODY OR LIMB ENTRAPMENTS, DISEMBOWELMENTS (WHEN A PERSON SITS ON A BROKEN OR UNCOVERED POOL DRAIN) OR HAIR ENTANGLEMENTS.



THIS PUMP PRODUCES HIGH LEVELS OF SUCTION AND CREATES A STRONG VACUUM AT THE MAIN DRAIN AT THE BOTTOM OF THE BODY OF WATER. THIS SUCTION IS SO STRONG THAT IT CAN TRAP ADULTS OR CHILDREN UNDER WATER IF THEY COME IN CLOSE PROXIMITY TO A DRAIN OR A LOOSE OR BROKEN DRAIN COVER OR GRATE.

THE USE OF UNAPPROVED COVERS OR ALLOWING USE OF THE POOL OR SPA WHEN COVERS ARE MISSING, CRACKED OR BROKEN CAN RESULT IN BODY OR LIMB ENTRAPMENT, HAIR ENTANGLEMENT, BODY ENTRAPMENT, EVISCERATION AND/OR DEATH.

The suction at a drain or outlet can cause:

Limb Entrapment: When a limb is sucked or inserted into an opening resulting in a mechanical bind or swelling. This hazard is present when a drain cover is missing, broken, loose, cracked or not properly secured.

Hair Entanglement: When the hair tangles or knots in the drain cover, trapping the swimmer underwater. This hazard is present when the flow rating of the cover is too small for the pump or pumps.

Body Entrapment: When a portion of the body is held against the drain cover trapping the swimmer underwater. This hazard is present when the drain cover is missing, broken or the cover flow rating is not high enough for the pump or pumps.

Evisceration/Disembowelment: When a person sits on an open pool (particularly a child wading pool) or spa outlet and suction is applied directly to the intestines, causing severe intestinal damage. This hazard is present when the drain cover is missing, loose, cracked, or not properly secured.

Mechanical Entrapment: When jewelry, swimsuit, hair decorations, finger, toe or knuckle is caught in an opening of an outlet or drain cover. This hazard is present when the drain cover is missing, broken, loose, cracked, or not properly secured.

NOTE: ALL SUCTION PLUMBING MUST BE INSTALLED IN ACCORDANCE WITH THE LATEST NATIONAL AND LOCAL CODES, STANDARDS AND GUIDELINES.

IMPORTANT SAFETY INSTRUCTIONS

⚠ WARNING TO MINIMIZE THE RISK OF INJURY DUE TO SUCTION ENTRAPMENT HAZARD:

- A properly installed and secured ANSI/ASME A112.19.8 approved anti-entrapment suction cover must be used for each drain.
- Each suction cover must be installed at least three (3') feet apart, as measured from the nearest point to nearest point.
- Regularly inspect all covers for cracks, damage and advanced weathering.
- If a cover becomes loose, cracked, damaged, broken or is missing, replace with an appropriate certified cover.
- Replace drain covers as necessary. Drain covers deteriorate over time due to exposure to sunlight and weather.
- Avoid getting hair, limbs or body in close proximity to any suction cover, pool drain or outlet.
- Disable suction outlets or reconfigure into return inlets.

⚠ WARNING The pump can produce high levels of suction within the suction side of the plumbing system. These high levels of suction can pose a risk if a person comes within the close proximity of the suction openings. A person can be seriously injured by this high level of vacuum or may become trapped and drown. It is absolutely critical that the suction plumbing be installed in accordance with the latest national and local codes for swimming pools.

⚠ WARNING A clearly labeled emergency shut-off switch for the pump must be in an easily accessible, obvious place. Make sure users know where it is and how to use it in case of emergency.

The Virginia Graeme Baker (VGB) Pool and Spa Safety Act creates new requirements for owners and operators of commercial swimming pools and spas.

Commercial pools or spas constructed on or after December 19, 2008, shall utilize:

(A) A multiple main drain system without isolation capability with suction outlet covers that meet ASME/ANSI A112.19.8a Suction Fittings for Use in Swimming Pools, Wading Pools, Spas, and Hot Tubs and either:

(i) A safety vacuum release system (SVRS) meeting ASME/ANSI A112.19.17 Manufactured Safety Vacuum Release systems (SVRS) for Residential and Commercial Swimming Pool, Spa, Hot Tub, and Wading Pool Suction Systems and/or ASTM F2387 Standard Specification for Manufactured Safety Vacuum Release Systems (SVRS) for Swimming pools, Spas and Hot Tubs or

(ii) A properly designed and tested suction-limiting vent system or

(iii) An automatic pump shut-off system.

Commercial pools and spas constructed prior to December 19, 2008, with a single submerged suction outlet shall use a suction outlet cover that meets ASME/ANSI A112.19.8a and either:

(A) A SVRS meeting ASME/ANSI A112.19.17 and/or ASTM F2387, or

(B) A properly designed and tested suction-limiting vent system, or

(C) An automatic pump shut-off system, or

(D) Disabled submerged outlets, or

(E) Suction outlets shall be reconfigured into return inlets.

⚠ CAUTION For Installation of Electrical Controls at Equipment Pad (ON/OFF Switches, Timers and Automation Load Center)



Install all electrical controls at equipment pad, such as on/off switches, timers, and control systems, etc. to allow the operation (startup, shut-down, or servicing) of any pump or filter so the user does not place any portion of his/her body over or near the pump strainer lid, filter lid or valve closures. This installation should allow the user enough space to stand clear of the filter and pump during system start-up, shut down or servicing of the system filter.

⚠ DANGER HAZARDOUS PRESSURE: STAND CLEAR OF PUMP AND FILTER DURING START UP.



Circulation systems operate under high pressure. When any part of the circulating system (i.e. locking ring, pump, filter, valves, etc.) is serviced, air can enter the system and become pressurized. Pressurized air can cause the pump housing cover, filter lid, and valves to violently separate which can result in severe personal injury or death. Filter tank lid and strainer cover must be properly secured to prevent violent separation. Stand clear of all circulation system equipment when turning on or starting up pump. Before servicing equipment, make note of the filter pressure. Be sure that all controls are set to ensure the system cannot inadvertently start during service. Turn off all power to the pump. **IMPORTANT: Place filter manual air relief valve in the open position and wait for all pressure in the system to be relieved.**

Before starting the system, fully open the manual air relief valve and place all system valves in the "open" position to allow water to flow freely from the tank and back to the tank. Stand clear of all equipment and start the pump.

IMPORTANT: Do not close filter manual air relief valve until all pressure has been discharged from the valve and a steady stream of water appears. Observe filter pressure gauge and be sure it is not higher than the pre-service condition.

General Installation Information

- All work must be performed by a qualified service professional, and must conform to all national, state, and local codes.
- Install to provide drainage of compartment for electrical components.
- These instructions contain information for a variety of pump models and therefore some instructions may not apply to a specific model. All models are intended for use in swimming pool applications. The pump will function correctly only if it is properly sized to the specific application and properly installed.

⚠ WARNING Pumps improperly sized or installed or used in applications other than for which the pump was intended can result in severe personal injury or death. These risks may include but not be limited to electric shock, fire, flooding, suction entrapment or severe injury or property damage caused by a structural failure of the pump or other system component.

Pumps and replacement motors that are single speed and one (1) Total HP or greater cannot be sold, offered for sale, or installed in a residential pool for filtration use in California, Title 20 CCR sections 1601-1609.

INSTALLATION

Only a qualified plumbing professional should install the WhisperFlo® High Performance Pump. Refer to “*Pump Warning And Safety Instructions*” on pages ii - iii for additional installation and safety information.

Location

Be sure the pump location meets the following requirements:

Note: Do not install this pump within an outer enclosure or beneath the skirt of a hot tub or spa unless marked accordingly.

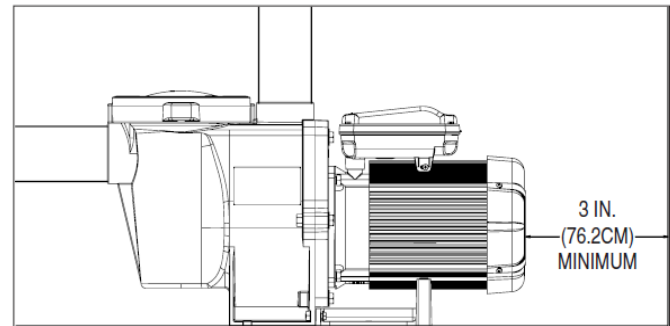
1. Install the pump as close to the pool or spa as possible. To reduce friction loss and improve efficiency, use short, direct suction piping returns.
2. Install a minimum of 5 feet (1.5 meters) from the inside wall of the pool and spa. Canadian installations require a minimum of 9.8 feet (3 meters) from pool water level.
3. Install the pump a minimum of 3 feet (0.9 meters) from the heater outlet.
4. Do not install the pump more than 10 feet (3 meters) above the water level.
5. Install the pump in a well ventilated location protected from excessive moisture (i.e., rain gutter downspouts, sprinklers, etc.)
6. Install the pump with a rear clearance of at least 3 inches (76.2 mm) so that the motor can be removed easily for maintenance and repair.

Piping

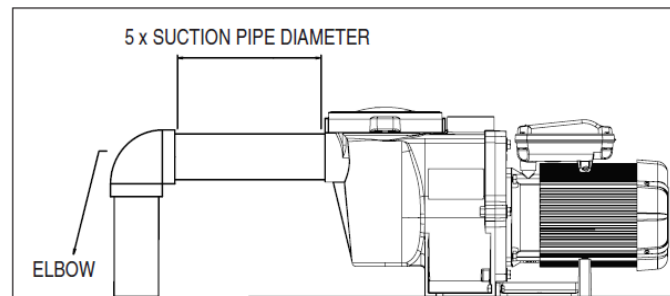
1. For improved pool plumbing, it is recommended to use a larger pipe size. When installing the inlet and outlet fittings (male adaptors), use thread sealant.
2. Piping on the suction side of the pump should be the same or larger than the return line diameter.
3. Plumbing on the suction side of the pump should be as short as possible.
4. For most installations Pentair recommends installing a valve on both the pump suction and return lines so that the pump can be isolated during routine maintenance. However, we also recommend that a valve, elbow or tee installed in the suction line should be no closer to the front of the pump than five (5) times the suction line diameter.

Example: A 2 inch pipe requires a 10 inch (25.4 cm) straight run in front of the suction inlet of the pump. This will help the pump prime faster and last longer.

Note: DO NOT install 90° elbows directly into the pump inlet or outlet.



Pump Rear Clearance



Recommended Piping

Fittings and Valves

1. Do not install 90° elbows directly into pump inlet.
2. Flooded suction systems should have gate valves installed on suction and discharge pipes for maintenance, however, the suction gate valve should be no closer than five times the suction pipe diameter as described in this section.
3. Use a check valve in the discharge line when using this pump for any application where there is significant height to the plumbing after the pump.
4. Be sure to install check valves when plumbing in parallel with another pump. This helps prevent reverse rotation of the impeller and motor.

Electrical Installation



RISK OF ELECTRICAL SHOCK OR ELECTROCUTION. This pump must be installed by a licensed or certified electrician or a qualified service professional in accordance with the National Electrical Code (NEC) and all other applicable national or local codes and ordinances. Improper installation will create an electrical hazard which could result in death or serious injury to users, installers, or others due to electrical shock, and may also cause damage to property.



Always disconnect power to the pump at the circuit breaker before servicing the pump. Failure to do so could result in death or serious injury to service people, users or others due to electric shock.

Read all servicing instructions before working on the pump.

Wiring

1. Be sure all electrical breakers, switches and automatic controls are turned off before wiring motor.



STORED CHARGE - Wait at least sixty (60) seconds before servicing.

2. Become familiar with the wiring diagram, volts, hertz, amps and phase of your particular pump motor. All of this information is provided on the motor nameplate label found on the side of the motor.
3. Be sure that the supply voltage meets the requirements listed on the motor nameplate. If these requirements are not met, permanent motor damage may occur.
4. For wiring sizes and general guidelines for proper electrical installation, please follow the specifications defined in the National Electrical Code and all other applicable national or local codes.
5. 3-Phase motors require external overload protection. An initial inspection is needed to ensure proper rotation of the pump.

Once installed, momentarily cycle the power on and then off. Note the rotation of the motor fan or shaft as it comes to a stop. If wired correctly the motor shaft and/or fan will match the rotation arrow noted on the pump.

6. Use a strain relief and be sure all electrical connections are clean and tight.
7. Cut the wires to the appropriate length so they do not overlap or touch when connected.

Grounding

1. Permanently ground the motor using the green ground screw, as shown below. Use the correct wire size and type specified by National Electrical Code. Be sure the ground wire is connected to an electrical service ground.
2. The pump should be permanently connected to either a circuit breaker, 2-pole timer or 2-pole relay.

Note: If AC power is supplied by a GFCI circuit breaker, the pump should be wired on its own independent circuit **unless the pump is operated in tandem with a Pentair salt chlorine generator.**

Bonding

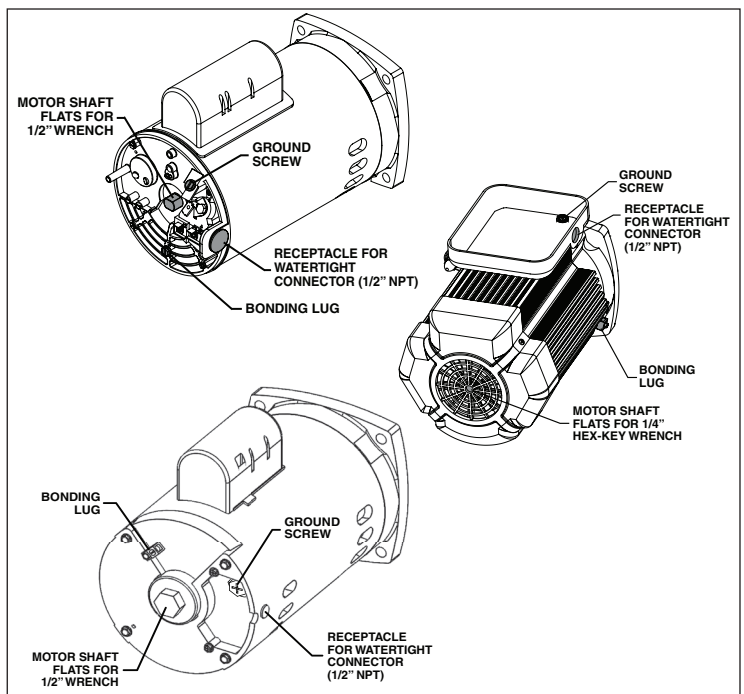
1. Bond the motor to the structure in accordance with the National Electrical Code and all other applicable national or local codes. Use a solid copper bonding conductor not smaller than 8 AWG. For Canadian installations, a 6 AWG or larger solid copper bonding conductor is required. Run a wire from the external bonding screw or lug to the bonding structure.
2. Connect the wire from the accessible bonding lug on the motor to all metal parts of the swimming pool, spa, or hot tub structure and to all electrical equipment, metal conduit, and metal piping within 5 feet (1.5 meters) of the inside walls of the swimming pool, spa, or hot tub. Run a wire from the external bonding screw or lug to the bonding structure.



Before establishing or restoring power to the pump, be sure all electrical connections are tight and all electrical and wiring compartment covers are properly installed.

Note: When the pump is started and stopped by removing power with a relay or timer, a two-pole device should be used to apply and remove power to both POWER LINE TERMINALS.

Pentair offers GFCI breakers which offer appropriate personal protection while meeting 2008 to current NEC Standards for Pool Pumps. See Pentair product catalog for details.



⚠ WARNING DO NOT open the strainer pot if pump fails to prime or if pump has been operating without water in the strainer pot. Pumps operated in these circumstances may experience a build up of vapor pressure and may contain scalding hot water. Opening the pump may cause serious personal injury. In order to avoid the possibility of personal injury, make sure the suction and discharge valves are open and strainer pot temperature is cool to touch, then open with extreme caution.

⚠ CAUTION To prevent damage to the pump and for proper operation of the system, clean pump strainer and skimmer baskets regularly.

Pump Strainer Basket

The pump strainer basket (or 'strainer pot', 'hair and lint pot'), is located in front of the volute. Inside the chamber is the basket which must be kept clean of leaves and debris at all times. View basket through the 'See Through Lid' to inspect for leaves and debris.

Regardless of the length of time between filter cleaning, it is most important to visually inspect the basket at least once a week. A dirty basket will reduce the efficiency of the filter and heater and also put an abnormal stress on the pump motor which would result in a costly repair bill.

Cleaning the Pump Strainer Basket

1. Turn off the pump at the circuit breaker.
2. Relieve pressure in the system by allowing the water to cool.
3. Gently tap the clamp in a counter-clockwise direction to remove the clamp and lid.
4. Remove debris and rinse out the basket. Replace the basket if it is cracked.
5. Put the basket back into the housing. Be sure to align the notch in the bottom of the basket with the rib in the bottom of the volute.
6. Fill the pump pot and volute up to the inlet port with water.
7. Clean the cover, O-ring, and sealing surface of the pump pot. **Note:** It is important to keep the lid O-ring clean and well lubricated.
8. Reinstall the lid by placing the lid on the pot. Be sure the lid O-ring is properly placed. Seat the clamp and lid on the pump then turn clockwise until the handles are horizontal.
9. Turn the power "ON" at the house circuit breaker. Reset the pool time clock to the correct time.
10. Open the High Flow manual air relief valve on top of the filter.
11. Stand clear of the filter. Start the pump.
12. Bleed air from the filter until a steady stream of water comes out. Close the High Flow™ Manual Air Relief Valve.

⚠ WARNING THIS SYSTEM OPERATES UNDER HIGH PRESSURE. When any part of the circulating system (e.g., Lock Ring, Pump, Filter, Valves, etc.) is serviced, air can enter the system and become pressurized. Pressurized air can cause the lid to separate which can result in serious injury, death, or property damage. To avoid this potential hazard, follow above instructions.



Winterizing

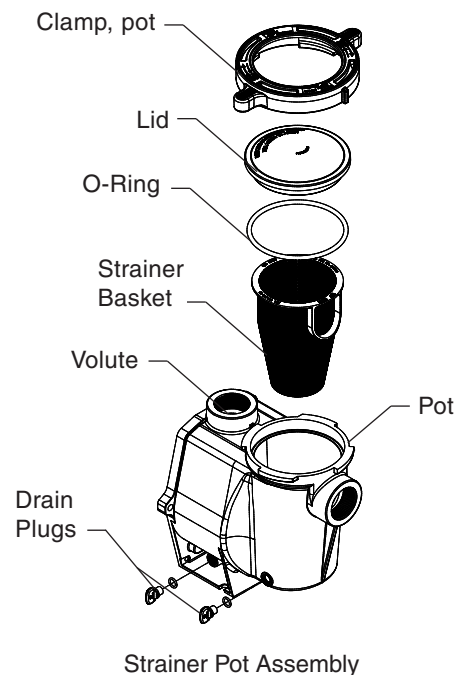
You are responsible for determining when freezing conditions may occur. If freezing conditions are expected, take the following steps to reduce the risk of freeze damage. **Freeze damage is not covered under warranty.**

To prevent freeze damage, follow the procedures below:

1. Shut off electrical power for the pump at the circuit breaker.
2. Drain the water out of the pump housing by removing the two thumb-twist drain plugs from the housing. Store the plugs in the pump basket.
3. Cover the motor to protect it from severe rain, snow and ice.

Note: Do not wrap motor with plastic or other air tight materials during winter storage. The motor may be covered during a storm, winter storage, etc., but never when operating or expecting operation.

In mild climate areas, when temporary freezing conditions may occur, run your filtering equipment all night to prevent freezing.



SERVICING

⚠ WARNING Always disconnect power to the pump at the circuit breaker and disconnect the communication cable before servicing the pump. Failure to do so could result in death or serious injury to service people, users or others due to electric shock. Read all servicing instructions before working on the pump.

⚠ WARNING **DO NOT** open the strainer pot if pump fails to prime or if pump has been operating without water in the strainer pot. Pumps operated in these circumstances may experience a build up of vapor pressure and may contain scalding hot water. Opening the pump may cause serious personal injury. In order to avoid the possibility of personal injury, make sure the suction and discharge valves are open and strainer pot temperature is cool to touch, then open with extreme caution.

⚠ CAUTION Be sure not to scratch or mar the polished shaft seal faces; seal will leak if faces are damaged. The polished and lapped faces of the seal could be damaged if not handled with care.

Motor Care

Protect from heat

1. Shade the motor from the sun.
2. Any enclosure must be well ventilated to prevent overheating.
3. Provide ample cross ventilation.

Protect against dirt

1. Protect from any foreign matter.
2. Do not store (or spill) chemicals on or near the motor.
3. Avoid sweeping or stirring up dust near the motor while it is operating.
4. If a motor has been damaged by dirt it voids the motor warranty.
5. Clean the lid and clamp, O-ring, and sealing surface of the pump pot.

Protect against moisture

1. Protect from splashing or sprayed water.
2. Protect from extreme weather.
3. If a motor has become wet - let it dry before operating. Do not allow the pump to operate if it has been flooded.
4. If a motor has been damaged by water it voids the motor warranty.

Note: When replacing the motor, be certain that the motor support is correctly positioned to support the size of motor being installed.

Shaft Seal Replacement

The Shaft Seal consists primarily of two parts, a rotating member and a ceramic seal.

The pump requires little or no service other than reasonable care, however, a Shaft Seal may occasionally become damaged and must be replaced.

Note: The polished and lapped faces of the seal could be damaged if not handled with care.

Pump Disassembly

All moving parts are located in the rear sub-assembly of this pump.

Tools required:

- 3/32 inch Allen head wrench
- 1/2 inch open end wrench
- 9/16 inch open end wrench
- Flat blade screwdriver
- #2 Phillips screwdriver

To remove and repair the motor subassembly, follow the steps below:

1. Turn off the pump circuit breaker at the main panel.
2. Drain the pump by removing the drain plugs.
3. Remove the 6 bolts that hold the main pump body (strainer pot/volute) to the rear sub-assembly.
4. GENTLY pull the two pump halves apart, removing the rear sub-assembly.
5. Use a 3/32 inch Allen head wrench to loosen the two holding screws located on the diffuser.
6. Hold the impeller securely in place and remove the impeller lock screw by using a #2 Phillips screwdriver. The screw is a left-handed thread and loosens in a clockwise direction.
7. Remove the shaft cap located at the back of the motor and hold the shaft secure with a 1/2 inch open-end wrench.
8. To unscrew the impeller from the shaft, twist the impeller counterclockwise.
9. Remove the four bolts from the seal plate to the motor, using a 9/16 inch wrench.

CAUTION DO NOT run the pump dry. If the pump is run dry, the mechanical seal will be damaged and the pump will start leaking. If this occurs, the damaged seal must be replaced. ALWAYS maintain proper water level. If the water level falls below the suction port, the pump will draw air through the suction port, losing the prime and causing the pump to run dry, resulting in a damaged seal. Continued operation in this manner could cause a loss of pressure, resulting in damage to the pump case, impeller and seal and may cause property damage and personal injury.

Pump Reassembly

1. When installing the replacement shaft seal, use silicone sealant on the metal portion before pressing into the seal plate, being careful to keep off of the seal face. Ensure the seal is fully seated and allow 24 hours for sealant to cure. (Complete seal plate w/seal replacement kit available, P/N 350201/350101.)
2. Before installing the ceramic section of the seal into the impeller, be sure the impeller is clean. Use a light density soap and water to seal the seal. Press the seal into the impeller with your thumbs and wipe off the ceramic and carbon faces with a clean cloth.
3. Remount the seal plate to the motor by installing bolts in an X pattern and tightening to 70 in-lbs.
4. Clean the motor shaft thread and the impeller insert, then screw the impeller onto the motor shaft.
5. Screw in the impeller lock screw (counter-clockwise and tighten to 25 in-lbs. while holding the motor shaft with wrench).
6. Remount the diffuser onto the seal plate. Make sure the plastic pins and holding screw inserts are aligned.
7. Grease the diffuser O-ring and seal plate gasket.
8. Grease the bolt threads, assemble the motor sub-assembly to the strainer pot-pump body by using the two through bolts for proper alignment. Do not tighten the through bolts until all 6 bolts are in place and finger tightened. Torque in a cross pattern to 110 in-lbs.
9. Fill the pump with water.
10. Reinstall the pump lid and plastic clamp; see the next section, 'Restart Instructions'.
11. Reprime the system.

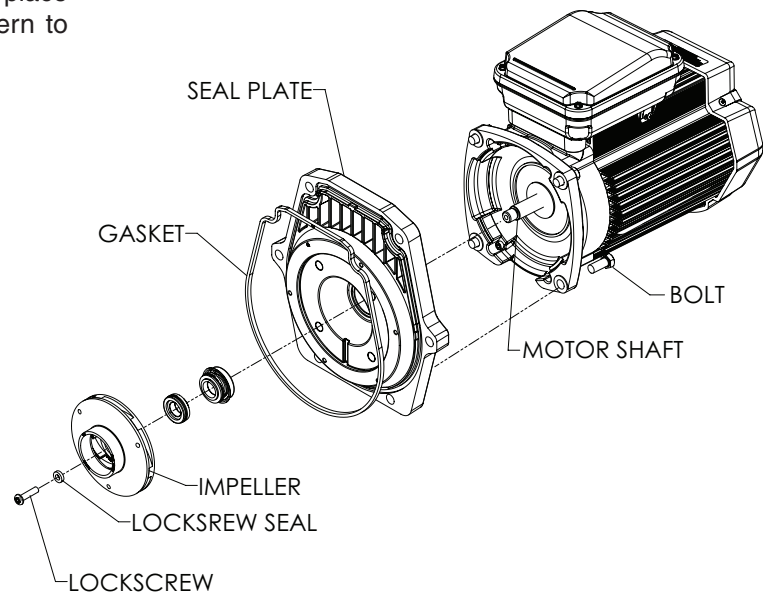
Restart Instructions

If pump is installed below the water level of the pool, close return and suction lines prior to opening hair and lint pot on pump. Make sure to re-open valves prior to operating.

Priming the Pump

The pump strainer pot must be filled with water before the pump is initially started. Follow these steps to prime the pump:

1. Remove the pump lid plastic clamp. Remove the pump lid.
2. Fill the pump strainer pot with water.
3. Reassemble the pump cover and plastic clamp onto the strainer pot. The pump is now ready to prime.
4. Open the air release valve on the filter, and stand clear of the filter.
5. Turn on the switch or time clock.
6. When water comes out of the air release valve, close the valve. The system should now be free of air and recirculating water to and from the pool.
7. For 2-speed pumps:
 - Pump should run on high-speed for priming.
 - The pump should not run longer than 8 minutes before priming is achieved.

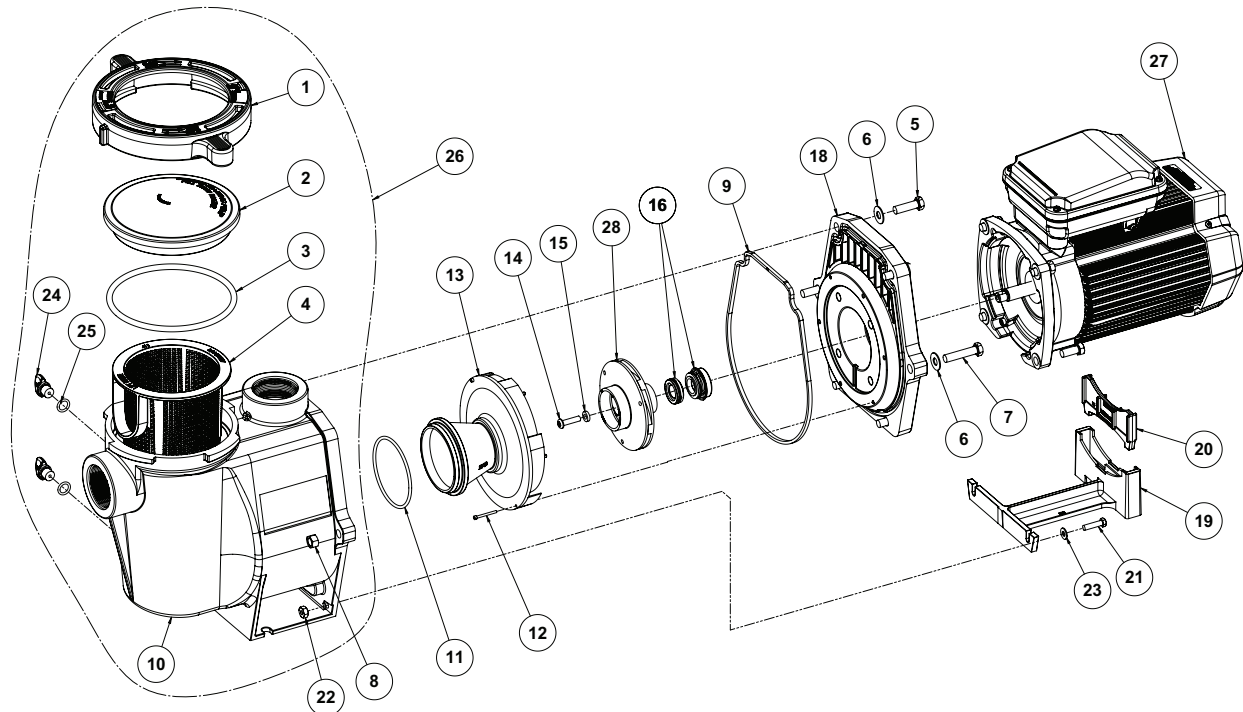


Motor Assembly

TROUBLESHOOTING

Problem	Possible Cause	Corrective Action
Pump failure.	<p>Pump will not prime - Air leak, too much air.</p> <p>Pump will not prime - Not enough water.</p> <p>Pump strainer gasket is clogged.</p> <p>Pump strainer gasket is defective.</p>	<p>Check suction piping and valve glands on any suction gate valves. Secure lid on pump strainer pot and be sure lid gasket is in place. Check water level to be sure skimmer is not drawing air.</p> <p>Be sure the suction lines, pump, strainer, and pump volute are full of water. Be sure valve on suction line is working and open (some systems do not have valves). Check water level to make sure water is available through skimmer.</p> <p>Clean pump strainer pot.</p> <p>Replace gasket.</p>
Reduced capacity and/or head.	<p>Air pockets or leaks in suction line.</p> <p>Clogged impeller.</p> <p>Pump strainer clogged.</p>	<p>Check suction piping and valve glands on any suction gate valves. Secure lid on pump strainer pot and be sure lid gasket is in place. Check water level to be sure skimmer is not drawing air.</p> <p>Turn off electrical power to the pump. Disassemble (see page 4, 'Pump Disassembly')</p> <p>Clean debris from impeller. If debris cannot be removed, complete the following steps:</p> <ol style="list-style-type: none"> 1. Remove left hand thread anti-spin bolt and o-ring. 2. Remove, clean, and reinstall impeller. <p>Reassemble (see page 5, 'Pump Reassembly')</p> <p>Clean suction trap.</p>

REPLACEMENT PARTS



ENGLISH

Item No.	P/N	Description
1	357199	Clamp, Almond
	357150	Clamp, Black
2	357151	Cover, Clear
	357156	Cover, chemical resistant
3	350013	O-Ring, Cover
4	070387	Strainer Basket
5	070430	Bolt, 3/8 - 16 x 1.25 Hex Head. SS, 4 Req.
6	072184	Washer, 3/8 x 13/16 O.D. SS, 6 Req.
7	070431	Bolt, 3/8 - 16 x 1.75 Hex Head. SS, 2 Req.
8	071403	Nut, 3/8, 16 Hex Head, 2 Req.
9	357100	Black Gasket for Seal Plate
10	357149	Volute & Seal Plate, Almond Replacement Kit
	350015	Volute, Almond
	357157	Volute, Black ❶
11	355227	O-Ring Parker No. 2-238,
12	071660	Set Screw, 4-40 x 1-1/8, 2 Req.
13	072928	Diffuser assembly, WFE-12, 3 HP Only
	072927	Diffuser assembly, WFE 2-8, 1/2 HP-2.5 HP
14	071652	Set Screw, 1/4 - 20 x 1 in. Phillips
15	075713	Rubber Washer

Item No.	P/N	Description
16	071734S	Shaft Seal PA-7 w/ ceramic seat, PS1000
	071732S	Shaft Seal, Ozone/Salt Resistant
	071728	Shaft Seal A7 w/ ceramic seat, PS201 ❶
17	070429	Bolt 3/8 - 16 x 7/8 SS Hex Head, 4 Req.
18	350201	Seal Plate Kit, Almond (Includes Shaft Seal installed) Items 9, 16 & 18
	350101	Seal Plate Kit, Black (Includes Shaft Seal installed) Items 16 & 18
19	070927	Foot, Almond
	357159	Foot, Black
20	070929	Foot Insert, Almond ❶
	357160	Foot Insert, Black
21	071657	Screw 1/4 - 20 x 1 In. Hex Head, SS, 2 Req. ❶
22	071406	Nut, 1/4 - 20 Hex Head, SS, 2 Req.
23	072183	Washer, 1/4 x 5/8 OD, SS, 2 Req.
	071131	Drain Plug, Almond, 2 Req.
24	357161	Drain Plug, Black, 2 Req.
	192115	O-Ring, Drain Plug, 2 Req. ❶
26	357149	Volute/Seal Plate Replacement Kit, Almond (Incl. Items: 1-4, 9, 10, 16, 18, 24, and 25)
-	357923Z	Fan Guard Kit, TEFC/Super-Duty
27		See Motor Table on next page

Item No.	P/N	Description Motors
27	355008S	3/4 HP, 60 Hz, WFE-2, 3 & 24, 1 spd., almond, 31 lbs. ②
27	355010S	1 HP, 60 Hz, WFE-4 & 26, 1 spd., almond, 33 lbs. ②
27	355012S	1-1/2 HP, 60 Hz, WFE-6 & 28, 1 spd., almond, 39 lbs. ②
27	355014S	2 HP, 60 Hz, WFE-8 & 30, 1 spd., almond, 40 lbs. ②
27	355016S	3 HP, 60 Hz, WFE-12, 1 spd., almond, 40 lbs. ②
27	356630S	1 HP, WFDS-4 & 26, 2 spd., 34 lbs. ④
27	071320S	1-1/2 HP, WFDS-6 & 28, 2 spd., 36 lbs. ④
27	071321S	2 HP, WFDS-8 & 30, 2 spd., 45 lbs. ④
27	355018S	1/2 HP, WF-2 & 23, 1 spd., almond, 39 lbs. ③
27	355020S	3/4 HP, WF-3 & 24, 1 spd., almond, 26 lbs. ③
27	355022S	1 HP, WF-4 & 26, 1 spd., almond, 28 lbs. ③
27	355024S	1-1/2 HP, WF-6 & 28, 1 spd., 39 lbs. ③
27	355026S	2 HP, WF-8 & 30, 1 spd., 32 lbs. ③
27	355033S	3 HP, WF-12, 1 spd., almond, 40 lbs. ③
27	355203S	1 HP, WFK-4, 3 ph, 1 spd., black, 28 lbs.
27	355204S	1-1/2 HP, WFK-6, 3 ph, 1 spd., black, 30 lbs.
27	355205S	2 HP, WFK-8, 3 ph, 1 spd., black, 37 lbs.
27	355398S	3 HP, WFK-12, 3 ph, 1 spd., black, 35 lbs.
27	356626S	1 HP, WFK-4, 3 ph, 1 spd., almond, 28lbs.
27	356627S	1-1/2 HP, WFK-6, 3 ph, 1 spd., almond, 30lbs.
27	356628S	2 HP, WFK-8, 3 ph, 1 spd., almond, 37 lbs.
27	356629S	3 HP, WFK-12, 3 ph, 1 spd., almond, 35 lbs.
27	354805S	1 HP, WFK-4, Super-Duty, 3 ph, 1 spd., almond, 28 lbs.
27	354807S	1-1/2 HP, WFK-6, Super-Duty, 3 ph., 1 spd., almond, 30lbs.
27	354809S	2 HP, WFK-8, Super-Duty, 3 ph., 1 spd., almond, 36 lbs.
27	354811S	3 HP, WFK-12, Super-Duty, 3 ph., 1 spd., almond, 39 lbs.
27	354821S	1 HP, WFET-4, TEFC, 1 ph., 1 spd., almond, 29lbs.
27	354823S	1-1/2 HP, WFET-6, TEFC, 1 ph., 1 spd., almond, 31lbs.
27	354815S	2 HP, WFET-8, TEFC, 1 ph., 1 spd., almond, 37lbs.
27	354817S	3 HP, WFET-12, TEFC, 1 ph., 1 spd., almond, 41lbs.

Not Shown

79129900	2-Speed Toggle Switch
350202	Seal Plate Kit: Seal plate (almond), Gasket (black), with installed Seal (Includes items: 9, 16, & 18)
350203	Seal Plate Kit: Seal plate (black), Gasket (black), with installed Seal (Includes items: 9, 16, & 18)
357244	Pot Assembly, Black NPT. (Includes items: 1-4, 10, 24 [qty. 2], 25 [qty. 2]).
357243	Pot Assembly, Almond NPT. (Includes items: 1-4, 10, 24 [qty. 2], 25 [qty. 2]).

Power End Sub-assembly *Includes* Items: 12-18, 27-28

075136	WFE-2
075137	WFE-3, WFE-24
075138	WFE-4, WFE-26 ②
075139	WFE-6, WFE-28 ②
075140	WFE-8, WFE-30 ②
075141	WFE-12 ②
075145	WFDS-3, WFDS-24 ④
075142	WFDS-4, WFDS-26 ④
075143	WFDS-6, WFDS-28 ④
075144	WFDS-8, WFDS-30
075251	WF-2, WF-23 ③
075252	WF-3, WF-24 ③
075253	WF-4, WF-26 ③
075254	WF-6, WF-28 ③
075255	WF-8, WF-30 ③
075256	WF-12 ③

Fluid Ends-All Parts, w/o Motor

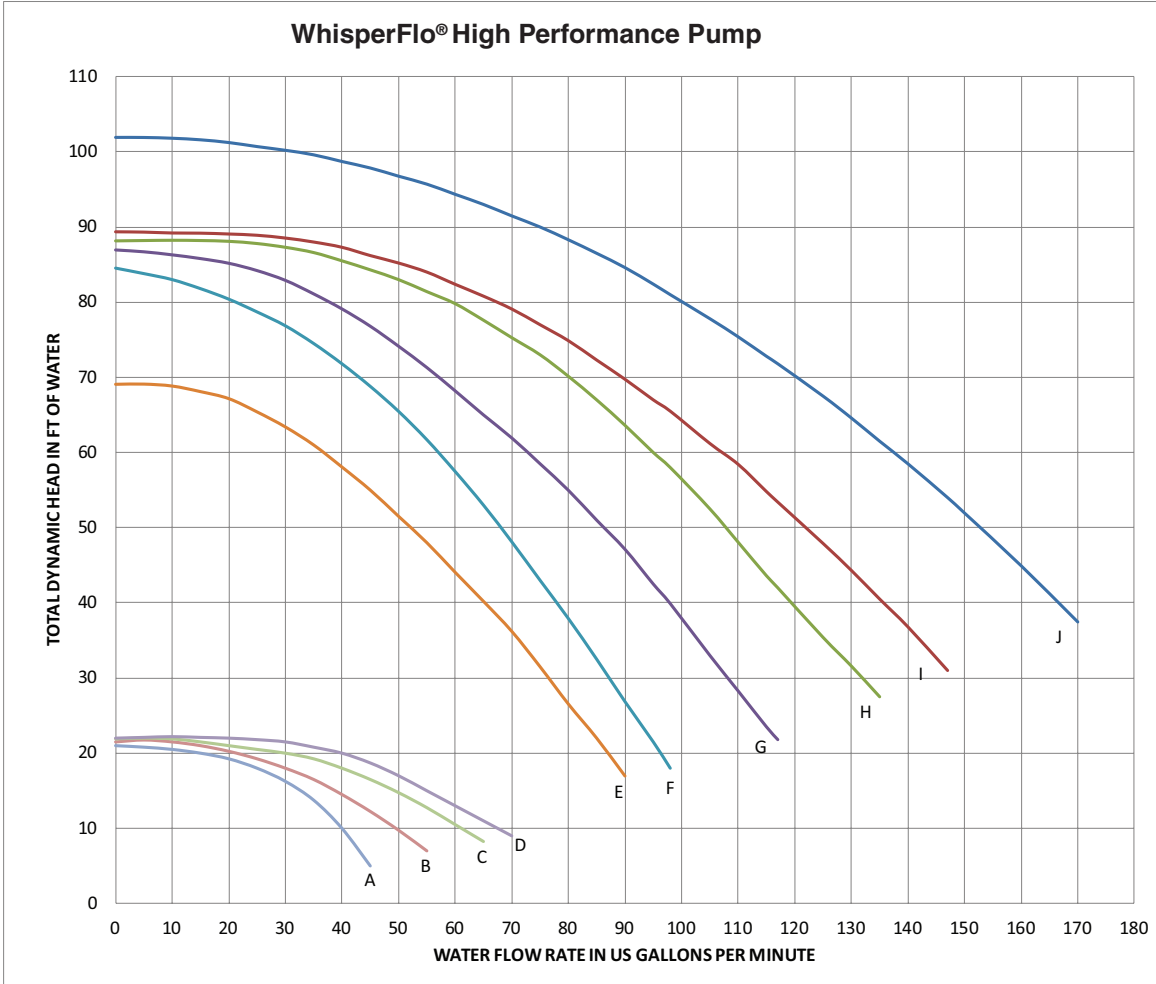
075451	WFE-2 fluid end, 1/2 HP
075452	WFE-3 fluid end, 3/4 HP
075453	WFE-4 fluid end, 1 HP
075454	WFE-6 fluid end, 1-1/2 HP
075455	WFE-8 fluid end, 2 HP
075456	WFE-12 fluid end, 3 HP

- | | |
|---|-----------------------------------|
| ① | CSA/CUL (only) for Canada |
| ② | Energy efficient, single phase |
| ③ | Standard efficiency, single phase |
| ④ | Two speed, single phase |

Impeller Chart

HP	PUMP MODEL	STD PART NO.
1/2	WFE-2, WF-2, WF-23, WFK-2	073126
3/4	WFE-3, WFE-24, WF-3, WF-24, WFK-3, WFDS-24	073127
1	WFE-4, WFE-26, WFET-4, WF-4, WF-26, WFK-4, WFDS-4, WFDS-26	073128
1½	WFE-6, WFE-28, WFET-6, WF-6, WF-28, WFK-6, WFDS-6, WFDS-28	073129
2	WFE-8, WFE-30, WFET-8, WF-8, WF-30, WFK-8, WFDS-8, WFDS-30	073130
3	WFE-12, WFET-12, WF-12, WFK-12	073131

Pump Performance Curves



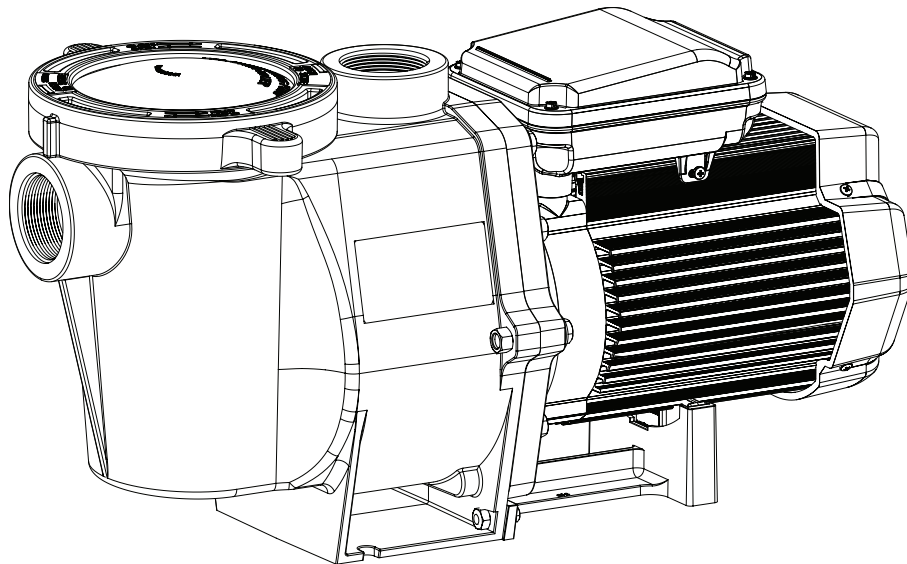
Curve	Model
A	WFDS-3, WFDS-24
B	WFDS-4, WFDS-26
C	WFDS-6, WFDS-28
D	WFDS-8, WFDS-30
E	WFE-2, WF-2, WF-23, WFK-2
F	WFE-3, WFE-24, WF-3, WF-24, WFK-3, WFDS-3, WFDS-24
G	WFE-4, WFE-26, WFET-4, WF-4, WF-26, WFK-4, WFDS-4, WFDS-26
H	WFE-6, WFE-28, WFET-6, WF-6, WF-28, WFK-6, WFDS-6, WFDS-28
I	WFE-8, WFE-30, WFET-8, WF-8, WF-30, WFK-8, WFDS-8, WFDS-30
J	WFE-12, WFET-12, WF-12, WFK-12

ENGLISH



WHISPERFLO[®]

BOMBA DE ALTO RENDIMIENTO



GUÍA DE INSTALACIÓN Y DEL USUARIO

INSTRUCCIONES IMPORTANTES DE SEGURIDAD
LEA Y SIGA TODAS LAS INSTRUCCIONES
GUARDE ESTAS INSTRUCCIONES

ATENCIÓN AL CLIENTE / SOPORTE TÉCNICO

Si tiene alguna pregunta sobre cómo realizar pedidos de piezas de repuesto de Pentair, utilice la siguiente información de contacto:

Servicio del Cliente y Soporte Técnico, USA
(de 8 a.m. a 4:30 p.m., Horario del Este y del Pacífico)
Teléfono: (800) 831-7133
Fax: (800) 284-4151

Sitio web

Visite www.pentair.com para encontrar información sobre los productos Pentair.

Sanford, Carolina del Norte
(de 8 a.m. a 4:30 p.m., Horario del Este)
Teléfono: (919) 566-8000
Fax: (919) 566-8920

Moorpark, California

(de 8 a.m. a 4:30 p.m., Horario del Pacífico)
Teléfono: (805) 553-5000 (Ext. 5591)
Fax: (805) 553-5515

ÍNDICE

Instrucciones de Seguridad Importantes	12	Servicio	17
Instalación	14	Cuidado del motor	17
Ubicación	14	Reemplazo del sello del eje	17
Tuberías	14	Desarmado de la bomba	17
Conexiones y válvulas	14	Rearmado de la bomba	18
Instalación eléctrica	15	Instrucciones para encender de nuevo	18
Cableado	15	Imprimir la bomba	18
Conexión a tierra	15	Localizador de averías	19
Empalmes	15	Piezas de reemplazo	20
Mantenimiento	16	Curvas de la bomba	22
Canastilla del filtro de la bomba	16		
Limpieza de la canastilla del filtro de la bomba	16		
Acondicionamiento para el invierno	16		

INSTRUCCIONES DE SEGURIDAD IMPORTANTES



NOTA IMPORTANTE

Esta guía ofrece las instrucciones de instalación y operación para este producto. Consulte a Pentair por cualquier pregunta relacionada con este equipo.

Atención, instalador: Esta guía contiene información importante sobre la instalación, la operación y el uso seguro de este producto. Se le debe proporcionar esta información al dueño y/u operador del equipo luego de la instalación o se debe dejar esta información encima o cerca de la bomba.

Atención, usuario: Este manual contiene información importante que le ayudará a operar y mantener este producto. Por favor, consérvelo para futura referencia.

LEA Y SIGA TODAS LAS INSTRUCCIONES GUARDE ESTAS INSTRUCCIONES



Este es el símbolo de alerta de seguridad. Cuando vea este símbolo en su sistema o en este manual, busque una de las siguientes palabras de señal y esté alerta a la posibilidad de que alguna persona resulte lesionada.

PELIGRO

Advierte sobre peligros que pueden causar la muerte, serias lesiones personales o daños importantes a la propiedad si se ignoran.

ADVERTENCIA

Advierte sobre peligros que pueden causar la muerte, serias lesiones personales o daños importantes a la propiedad si se ignoran.

PRECAUCIÓN

Advierte sobre peligros que pueden provocar lesiones personales leves o daños a la propiedad si son ignorados.

NOTA

Indica instrucciones especiales no relacionadas con peligros.

Lea y siga cuidadosamente todas las instrucciones de seguridad en este manual y en relación a los equipos. Conserve las etiquetas de seguridad en buenas condiciones; reemplácelas si faltan o están dañadas.

Quando instale y use estos equipos eléctricos, siempre se deben seguir las precauciones de seguridad básicas, entre las que se incluye las siguientes:

PELIGRO

EL INCUMPLIMIENTO DE TODAS LAS INSTRUCCIONES Y ADVERTENCIAS PUEDE DAR COMO RESULTADO LESIONES CORPORALES SERIAS O LA MUERTE. **ESTA BOMBA DEBE SER INSTALADA Y MANTENIDA ÚNICAMENTE POR UN PROFESIONAL DE MANTENIMIENTO DE PISCINAS CUALIFICADO. LOS INSTALADORES, OPERADORES DE PISCINAS Y DUEÑOS DEBEN LEER ESTAS ADVERTENCIAS Y TODAS LAS INSTRUCCIONES EN EL MANUAL DEL USUARIO ANTES DE USAR ESTA BOMBA. ESTAS ADVERTENCIAS Y EL MANUAL DEL USUARIO DEBEN QUEDARSE CON EL DUEÑO DE LA PISCINA.**

ADVERTENCIA

No permita que los niños usen este producto.

ADVERTENCIA

RIESGO DE DESCARGA ELÉCTRICA. Conecte solamente a un circuito derivado protegido por un interruptor de circuito por falla a tierra (GFCI). Contacte a un electricista cualificado si no puede verificar que el circuito esté protegido por un GFCI.

ADVERTENCIA

Esta unidad debe conectarse solamente a un circuito de alimentación protegido por un interruptor de circuito por falla a tierra (GFCI). Dicho GFCI debe proporcionarlo el instalador y debe ser sometido a pruebas de rutina. Para probar el GFCI, oprima el botón de prueba. El GFCI debe cortar la energía. Oprima el botón de reanudar. La energía debería restaurarse. Si el interruptor de circuito por falla a tierra (GFCI) no puede funcionar de esta manera, el GFCI es defectuoso. Si el GFCI interrumpe la alimentación a la bomba sin haberse oprimido el botón de prueba, estará fluyendo una corriente a tierra, indicando la posibilidad de un choque eléctrico. No use esta bomba. Desconecte la bomba y pídale a un representante de servicio cualificado que corrija el problema antes de usarla.

PRECAUCIÓN

Esta bomba es para ser utilizada en piscinas permanentes y también puede usarse con jacuzzis y spas, si así se especifica. No la use con piscinas que se deban almacenar. Una piscina instalada permanentemente se construye en el suelo o en un edificio de manera tal que no se pueda desmontar para ser almacenada. Una piscina que se debe almacenar está construida con el fin de poder desmontarla fácilmente para su almacenamiento y montarla nuevamente con posterioridad.

Advertencias generales

- Nunca se debe abrir el interior del recinto del motor del accionador. Hay un bloque de condensadores con una carga de 230 VCA incluso cuando la unidad no está conectada a la fuente de alimentación.
- La bomba no es sumergible.
- La bomba puede alcanzar caudales de salida elevados; tenga cuidado al instalar y programar el límite potencial de rendimiento de las bombas con equipos antiguos o dudosos.
- Los códigos requeridos para la conexión eléctrica varían dependiendo del país, estado o municipalidad local. Instale el equipo de acuerdo al código de electricidad nacional y todos los demás códigos y normas aplicables.
- Antes de efectuar el mantenimiento de la bomba; apague la alimentación de energía eléctrica a la bomba desconectando el circuito principal que va hacia la bomba.
- Este artefacto no debe ser utilizado por personas (incluyendo niños) con capacidades físicas, sensoriales o mentales reducidas, o que no tengan la experiencia y los conocimientos, a menos que hayan sido supervisados o instruidos en el uso del artefacto por una persona responsable por su seguridad.

PELIGRO

PELIGRO DE ATASCAMIENTO: ¡MANTÉNGASE ALEJADO DEL DRENAJE PRINCIPAL Y DE TODAS LAS SALIDAS DE SUCCIÓN! ESTA BOMBA NO ESTÁ EQUIPADA CON LA PROTECCIÓN DEL SISTEMA DE LIBERACIÓN DE VACÍO DE SEGURIDAD (SVRS) Y NO PROTEGE CONTRA LOS ENTRAMOS DEL CUERPO O DE LOS MIEMBROS (CUANDO UNA PERSONA SE SIENTA EN UN DRENAJE DE PISCINA ROTO O DESCUBIERTO) O ENLAMBRES DE PELO.



ESTA BOMBA PRODUCE ALTOS NIVELES DE SUCCIÓN Y CREA UN FUERTE VACÍO EN EL DRENAJE PRINCIPAL, EN LA PARTE INFERIOR DE LA MASA DE AGUA. LA SUCCIÓN ES TAN FUERTE QUE PUEDE ATRAPAR A ADULTOS O NIÑOS BAJO EL AGUA SI SE ENCUENTRA PRÓXIMOS A UN DRENAJE O A UNA CUBIERTA O REJILLA ROTA O SUELTA DEL DRENAJE. EL USO DE CUBIERTAS INADECUADAS O PERMITIR EL USO DE LA PISCINA O EL SPA CUANDO HAY CUBIERTAS AUSENTES, FISURADAS O ROTAS PUEDE DAR COMO RESULTADO EL ATASCO DE ALGUNA PARTE DEL CUERPO O ARTICULACIÓN, ENREDO DE CABELLO, ATASCO DEL CUERPO, EVISCERACIÓN Y/O LA MUERTE.

La succión en el drenaje o salida puede causar:

Atascamiento de un miembro: Cuando un miembro del cuerpo es succionado o insertado en una abertura y produce una obstrucción o atrapamiento mecánico. Este peligro se presenta cuando la cubierta de un drenaje falta, está rota, suelta, fisurada o incorrectamente asegurada.

Enredo de cabellos: Cuando el cabello se enreda o anuda en la cubierta del drenaje y atrapa al nadador debajo del agua. Este peligro se presenta cuando la velocidad del flujo de la cubierta es demasiado baja para la(s) bomba(s).

Atascamiento del cuerpo: Cuando una parte del cuerpo queda atrapada contra la cubierta del drenaje manteniendo al nadador debajo del agua. Este peligro se presenta cuando la cubierta del drenaje falta, está rota o cuando la velocidad de flujo de la cubierta no es lo suficientemente alta para la(s) bomba(s).

Evisceración/desentrañamiento: Cuando una persona se sienta en una piscina abierta (particularmente una piscina de chapoteo para niños) o en la salida de un spa y se aplica la succión directamente a los intestinos, causando un daño intestinal severo. Este peligro se presenta cuando la cubierta del drenaje falta, está suelta, fisurada o incorrectamente asegurada.

INSTRUCCIONES DE SEGURIDAD IMPORTANTES

Atrapamiento mecánico: Cuando las joyas, el traje de baño, los accesorios para el cabello, lo dedos de manos o pies, o un nudillo se atascan en la abertura de una salida o de una cubierta de drenaje. Este peligro se presenta cuando la cubierta del drenaje falta, está suelta, rota, fisurada o incorrectamente asegurada.

NOTA: TODA LA FONTANERÍA DE SUCCIÓN DEBE INSTALARSE EN CONFORMIDAD CON LOS ÚLTIMOS CÓDIGOS, ESTÁNDARES Y GUÍAS NACIONALES Y LOCALES.

ADVERTENCIA PARA MINIMIZAR EL RIESGO DE LESIONES DEBIDO AL PELIGRO DE ATASCO POR SUCCIÓN:

- Para cada drenaje, se debe usar una cubierta de succión anti-atascos apropiadamente instalada y asegurada y aprobada por el ANSI/ASME A112.19.8.
- Cada cubierta de succión debe ser instalada al menos a tres pies (3') de distancia, medidos desde el punto más cercano hasta el punto más cercano.
- Inspeccione todas las cubiertas con regularidad en busca de fisuras, daños e intemperización avanzada.
- Si una cubierta está suelta, fisurada, dañada, rota o ausente, reemplácela con una cubierta certificada apropiada.
- Reemplace la cubierta del drenaje según sea necesario. Las cubiertas del drenaje se deterioran con el tiempo debido a la exposición a la luz solar y el clima.
- Evite que el cabello, los miembros superiores e inferiores o el cuerpo estén en proximidad cercana a las cubiertas de succión, el drenaje o la salida de la piscina.
- Deshabilite las salidas de la succión o vuelva a configurar las entradas de retorno.

ADVERTENCIA La bomba puede producir altos niveles de succión del lado de la succión del sistema de conexiones. Estos niveles elevados de succión pueden representar un riesgo si una persona se encuentra muy cerca de las aberturas de succión. La persona puede lesionarse seriamente debido a este alto nivel de vacío, o puede ahogarse. Es absolutamente crítico que las conexiones de succión se instalen de acuerdo con los códigos nacionales y locales para piscinas más recientes.

ADVERTENCIA Debe haber un interruptor de cierre de emergencia claramente etiquetado para la bomba en un lugar obvio y de fácil acceso. Asegúrese que los usuarios sepan dónde está y cómo usarlo en caso de emergencia.

La Ley de Seguridad para Piscinas y Spas Virginia Graeme Baker (VGB) crea nuevos requerimientos para los dueños y operadores de piscinas y spas comerciales.

Las piscinas o spas comerciales construidos el 19 de diciembre de 2008 o después de esa fecha, deberán utilizar:

(A) Un sistema de drenaje principal sin capacidad de aislamiento con cubiertas de salida de succión que cumplan con el ASME/ANSI A112.19.8a en relación a aditamentos de succión para uso en piscinas, piscinas de chapoteo, spas y jacuzzis, y, ya sea:

(i) Un sistema de liberación de vacío de seguridad (SVRS) que cumpla con el estándar ASME/ANSI A112.19.17 de sistemas de seguridad de liberación del vacío (SVRS) fabricados para sistemas de piscina, spa, jacuzzi y piscina de niños residenciales y comerciales, y/o la especificación del estándar ASTM F2387 para sistemas de seguridad de liberación del vacío (SVRS) fabricados para piscinas, spas y jacuzzis o

(ii) Un sistema de ventilación limitado por succión debidamente diseñado y comprobado o

(iii) Un sistema de apagado de bomba automático.

Las piscinas o spas comerciales construidos antes del 19 de diciembre de 2008, con una sola salida de succión sumergida deberán usar una cubierta de la salida de la succión que cumpla con el ASME/ANSI A112.19.8a y, ya sea:

(A) Un sistema de liberación de vacío de seguridad (SVRS) que cumpla con las normas ASME/ANSI A112.19.17 y/o ASTM F2387, o

(B) Un sistema de ventilación limitado por succión debidamente diseñado y comprobado, o

(C) Un sistema de apagado de bomba automático, o

(D) Bocas sumergidas desactivadas, o

(E) Las salidas de succión se deben configurar nuevamente como entradas de retorno.

PRECAUCIÓN



Para la instalación de los controles eléctricos en la plataforma del equipo (interruptores de encendido/apagado, temporizadores y centro de carga automatizada)

Instale todos los controles eléctricos en la plataforma del equipo, como los interruptores de encendido/apagado (ON/OFF), los cronómetros y los sistemas de control, etc. para permitir la operación (arranque, cierre o mantenimiento) de cualquier bomba o filtro para que el usuario no coloque ninguna porción de su cuerpo sobre o cerca de la tapa coladora de la bomba, la tapa del filtro o los cierres de la válvula. Esta instalación debe otorgar al usuario suficiente espacio para mantenerse alejado del filtro y la bomba durante el arranque del sistema, el cierre o el mantenimiento del filtro del sistema.

PELIGRO



PRESIÓN PELIGROSA: MANTENGA DISTANCIA DE LA BOMBA Y EL FILTRO DURANTE EL ARRANQUE.

Los sistemas de circulación funcionan bajo alta presión. Cuando se hace mantenimiento a una parte del sistema de circulación (es decir, el anillo de bloqueo, la bomba, el filtro, las válvulas, etc.), el aire puede ingresar al sistema y presurizarse. El aire presurizado puede hacer que las válvulas y la tapa del filtro de la cubierta de la carcasa de la bomba se separen violentamente, lo que puede ocasionar lesiones personales severas o la muerte. La tapa del tanque del filtro y la cubierta del colador deben estar correctamente aseguradas para evitar la separación violenta. Manténgase alejado de los equipos del sistema de circulación de aire cuando encienda o haga arrancar la bomba.

Antes de efectuar el mantenimiento a los equipos, tome nota de la presión del filtro. Asegúrese de que todos los controles estén configurados para garantizar que el sistema no arranque inadvertidamente durante el mantenimiento. Apague toda alimentación a la bomba. **IMPORTANTE: Coloque la válvula manual de alivio de aire del filtro en posición abierta y espere que se alivie toda la presión que se encuentra en el sistema.**

Antes de hacer arrancar el sistema, abra completamente la válvula manual de alivio de aire y coloque todas las válvulas del sistema en la posición abierta para permitir que el agua fluya libremente desde el tanque y de regreso a él. Manténgase alejado de todos los equipos y encienda la bomba.

IMPORTANTE: No cierre la válvula manual de alivio de aire del filtro hasta que toda la presión haya sido descargada de la válvula y que aparezca una corriente constante de agua. Observe el medidor de presión del filtro y asegúrese de que no sea más alta que la condición previa al mantenimiento.

Información de instalación general

- Todo el trabajo debe realizarlo un profesional de servicio cualificado, y debe cumplir con todos los códigos nacionales, estatales y locales.
- Instale de manera tal que haya drenaje del compartimiento para los componentes eléctricos.
- Estas instrucciones contienen información para una variedad de modelos de bombas y por tanto algunas instrucciones podrían no aplicarse a un cierto modelo específico. Todos los modelos han de usarse en piscinas. La bomba funcionará correctamente solamente si tiene el tamaño adecuado en relación a la aplicación y si está apropiadamente instalada.

ADVERTENCIA

Las bombas de tamaño incorrecto o mal instaladas o que se usen con aplicaciones diferentes a las que fueron diseñadas para la bomba pueden provocar graves lesiones personales o la muerte. Estos riesgos pueden incluir, entre otros, choques eléctricos, incendios, inundaciones, atascamientos por succión o lesiones graves o daños a la propiedad provocados por una falla estructural de la bomba u otro componente del sistema.

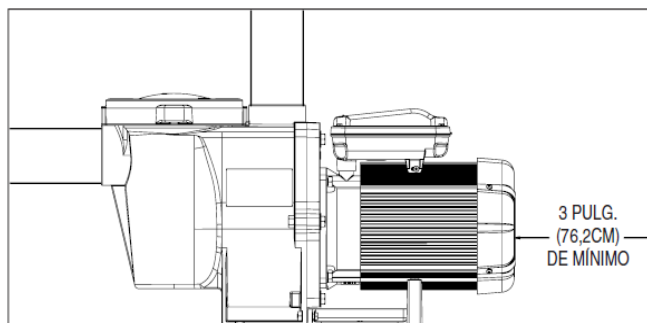
Las bombas y los motores de repuesto con velocidad única y un (1) HP total o superior no se pueden vender, poner a la venta o instalar en un grupo residencial para su uso en California, Título 20 del CCR, secciones 1601-1609.

INSTALACIÓN

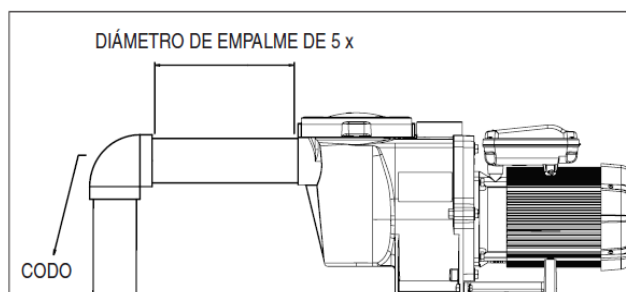
Sólo personal de servicio calificado debe instalar la bomba WhisperFlo®. Consulte la sección “Instrucciones de seguridad y advertencias de la bomba” en las páginas 11 a 12 para obtener información adicional sobre pautas para la instalación y la seguridad.

Ubicación

1. Instale la bomba lo más cerca posible a la piscina o spa. Para reducir la pérdida de fricción y mejorar la eficacia, use un mecanismo de succión corta y directa y retornos de tuberías.
2. Realice la instalación a un mínimo de 5 pies (1,5 m.) de la pared interior de la piscina y el spa. En Canadá, las instalaciones deben estar como mínimo a una distancia de 9,8 pies (3 metros) del agua de la piscina.
3. Instale la bomba a un mínimo de 3 pies (0,9 metros) de la salida del calefactor.
4. No instale la bomba a más de 10 pies (3 m) por encima del nivel del agua.
5. Instale la bomba en un área cubierta y bien ventilada para protegerla de la humedad excesiva (es decir, lluvia, sistemas de aspersión, etc.)
6. Instale la bomba con una distancia de separación trasera de al menos 3 pulgadas (76,2 mm) de manera que el motor pueda ser extraído fácilmente cuando debe ser reparado y cuando se realice el mantenimiento.



Distancia de seguridad de la parte trasera de la bomba



Recomendado mínimo Diámetro de empalme

Tuberías

1. Para una mejor plomería en la piscina, se recomienda utilizar un tamaño de tubería más grande. Cuando instale los accesorios para entradas y salidas (adaptadores macho), use un sellador de roscas.
2. Utilice tamaños de caños más grandes para una mejor tubería. El diámetro de empalme debe ser el mismo o mayor que el diámetro de la línea de retorno.
3. Las tuberías en el lado de succión de la bomba deben ser lo más cortas posibles.
4. Para la mayoría de las instalaciones que Pentair recomienda instalar una válvula en la aspiración de la bomba y mangueras de retorno para que la bomba puede ser aislada durante el mantenimiento rutinario. Sin embargo, recomendamos que una válvula, codo o tee instalado en la línea de succión debe ser no más cerca de la parte delantera de la bomba de cinco 5 veces la línea de succión de diámetro.

Ejemplo: Un tubo de 2 pulgadas requiere una distancia de 10 pulgadas (25.4 cm) del frente de la entrada de succión de la bomba. Esto ayudará a que la bomba opere más rápido y dure más.

Nota: No instale codos de 90° directamente en la entrada o toma de corriente de la bomba.

Conexiones y Válvulas

1. No instale codos de 90° directamente en la entrada de la bomba.
2. Los sistemas de succión deberían tener válvulas de compuertas instaladas en las tuberías de succión y descarga para mantenimiento; sin embargo, la válvula de compuerta de succión no debe estar más cerca que cinco veces el diámetro de la tubería de succión como se describe en el párrafo anterior.
3. Utilice una válvula de retención en la línea de descarga al utilizar esta bomba para cualquier aplicación donde hay altura significativa de la tubería después de la bomba.
4. Asegúrese de instalar las válvulas de comprobación cuando nivela en paralelo con otra bomba. Esto ayuda a evitar la rotación inversa del propulsor y el motor.

Instalación eléctrica

ADVERTENCIA



RIESGO DE DESCARGA ELÉCTRICA O ELECTROCUCIÓN. Esta bomba debe ser instalada por un electricista con licencia o certificado o por un profesional de servicios calificado conforme al Código Nacional de Electricidad (NEC) y los códigos y las ordenanzas locales aplicables. Una instalación inadecuada generará un riesgo eléctrico que podría causar la muerte o lesiones graves a usuarios, instaladores y otras personas debido a una descarga eléctrica, y también podría provocar daños a la propiedad.

Desconecte siempre la bomba desde el interruptor de circuito antes de realizarle el servicio. No hacerlo podría causar la muerte o lesiones graves a las personas que realizan el servicio, a los usuarios u otras personas debido a una descarga eléctrica.

Lea todas las instrucciones de servicio antes de trabajar en la bomba.

Cableado

1. Verifique que todos los interruptores, disyuntores y controles automáticos estén apagados antes de conectar el motor.

ADVERTENCIA

CARGA GUARDADA: espere al menos sesenta (60) segundos antes de realizar el servicio.

2. Conozca el diagrama de cableado, los voltios, hertz, amperios y fases del motor de su bomba en particular. Toda la información figura en la placa de identificación que está sobre un lado del motor.
3. Verifique que la tensión de alimentación cumpla con los requisitos que aparecen en la placa del motor. Si no se cumplen, se puede producir un daño permanente en el motor.
4. Para conocer el calibre de los cables y las pautas generales para una instalación eléctrica adecuada, siga las especificaciones definidas por el Código Nacional de Electricidad y cualquier otro código nacional o local de aplicación.
5. Los motores trifásicos necesitan protección externa contra golpes de tensión. Es necesario hacer una inspección inicial para garantizar que la bomba rote correctamente.

Una vez instalada, inicie el ciclo momentáneamente. Para ello enciéndala y apáguela. Observe la rotación del ventilador o del eje del motor cuando se detiene. Si está correctamente conectado, el eje y/o el ventilador coincidirán con la flecha de rotación que tiene la bomba.

6. Use un aliviador de tensión y verifique que todas las conexiones eléctricas estén limpias y ajustadas.
7. Corte los cables de la longitud apropiada para que no se superpongan ni entren en contacto al momento de conectarlos.

Conexión a tierra

1. Conecte el motor a tierra de forma permanente mediante el tornillo verde de conexión a tierra, como se muestra debajo. Use el calibre y tipo de cable correctos, según lo especifica el Código Nacional de Electricidad. Verifique que el cable a tierra esté conectado a una conexión a tierra del servicio eléctrico.
2. La bomba debe estar conectada permanentemente a un interruptor de circuito, un temporizador de 2 polos o a un relé de 2 polos.

Nota: Si la CA se obtiene de un interruptor de circuito GFCI, el cableado de la bomba debe tener su propio circuito independiente **a menos que la bomba opere en conjunto con un clorinador de sal de Pentair.**

Empalmes

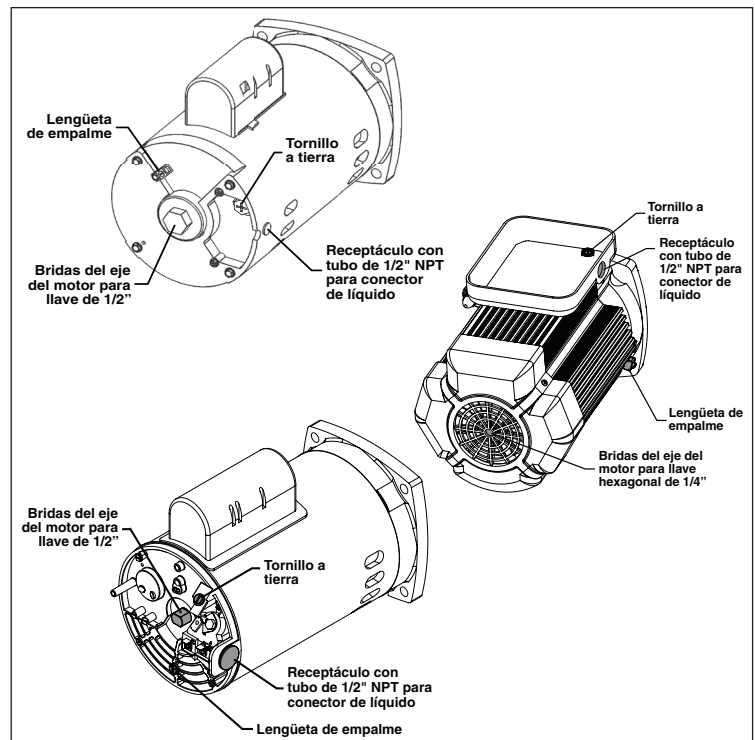
1. Empalme el motor a la estructura según el Código Nacional de Electricidad y todos los códigos nacionales o locales de aplicación. Utilice un conductor de empalme de cobre sólido no inferior a 8 AWG. Para las instalaciones canadienses se debe usar un conductor de empalme de cobre sólido de 6 AWG o más. Instale un cable desde el tornillo o la lengüeta de empalme externos hasta la estructura de empalme.
2. Conecte el cable de la lengüeta de empalme accesible del motor a todas las partes metálicas de la estructura de la piscina, el spa o el jacuzzi y a todos los equipos eléctricos, conductos de metal y tuberías de metal que estén a unos 5 pies (1.5 metros) de las paredes internas de la piscina, el spa o el jacuzzi. Instale un cable desde el tornillo o la lengüeta de empalme externos hasta la estructura de empalme.

ADVERTENCIA

Antes de conectar o reconectar la bomba verifique que todas las conexiones eléctricas estén firmes y todas las cubiertas compartimientos eléctricos y de cableado estén correctamente instaladas.

Nota: Cuando la bomba se arranque o se detenga cortándole la energía con un relé o temporizador, se deberá usar un dispositivo de dos polos para aplicar y quitar la energía a ambos TERMINALES DEL CABLE DE ENERGÍA.

Pentair ofrece interruptores GFCI que ofrecen la protección personal adecuada y además cumplen con las normas de NEC de 2008 a la fecha para bombas para piscina. Vea el catálogo de productos Pentair para obtener más detalles.



MANTENIMIENTO

ADVERTENCIA NO abra el depósito del filtro si el cebado de la bomba falla o si la bomba ha estado funcionando sin agua en el depósito del filtro. Las bombas que funcionan en estas circunstancias pueden experimentar una acumulación de presión de vapor y pueden contener agua caliente escaldada. Si abre la bomba puede resultar herido de gravedad. Para evitar la posibilidad de lesiones personales, asegúrese de que las válvulas de succión y descarga estén abiertas y la temperatura del depósito del filtro esté fría para el tacto, luego ábrala con extrema precaución.

PRECAUCIÓN Para evitar el daño de la bomba y para un adecuado funcionamiento del sistema, limpie el filtro de la bomba y las canastillas de los desnatadores con regularidad.

Canastilla del filtro de la bomba

La canastilla del filtro (o "depósito del filtro") se encuentra enfrente del alojamiento de la bomba. La canastilla del filtro debe mantenerse limpia y sin suciedad. Inspeccione la canastilla a través de la tapa en la parte superior del alojamiento.

Asegúrese de inspeccionar visualmente la canastilla del filtro cada 1 a 4 semanas. Las canastillas del filtro sucias reducen la eficiencia del filtro y del calefactor y ejercen una presión anormal sobre el motor de la bomba. La acumulación de bacterias puede ensuciar la tapa.

Limpieza de la canastilla del filtro de la bomba

1. Apague la bomba en el interruptor de circuito.
2. Libere presión en el sistema.
3. Gire la tapa y abrazadera en el sentido contrario a las agujas del reloj y retírelas de la bomba.
4. Retire los residuos y limpie la canastilla. Reemplace la canastilla si está rajada.
5. Vuelva a colocar la canastilla en la caja. Asegúrese de alinear la perforación en la parte inferior de la canastilla con el acanalado en la parte inferior del alojamiento.
6. Llene el depósito y el alojamiento de la bomba hasta el puerto de entrada con agua.
7. Limpie la tapa y la abrazadera, el anillo tórico y la superficie de sellado del depósito de la bomba.

Nota: Es importante que mantenga el anillo tórico de la tapa limpio y bien lubricado.

8. Vuelva a instalar la tapa colocando la abrazadera y la tapa en el depósito. Asegúrese de que el anillo tórico de la tapa esté bien colocado.

Coloque la abrazadera y la tapa sobre la bomba, luego gire en sentido de las agujas del reloj hasta que las manijas del anillo de seguridad estén horizontales.

9. Encienda la bomba en el interruptor de circuito.
10. Abra la válvula de alivio de aire manual en la parte superior del filtro. Aléjese del filtro.
11. Espere hasta que se libere toda la presión. Ponga en marcha la bomba.
12. Purgue el aire del filtro hasta que un flujo constante de agua salga de la válvula de alivio de aire del filtro. Cierre la válvula de alivio de aire manual.

ADVERTENCIA ESTE SISTEMA OPERA BAJO ALTA PRESIÓN.

Quando cualquier parte del sistema de circulación (es decir anillo de seguridad, bomba, filtro, válvulas, etc.) está siendo controlado por el servicio técnico, es posible que ingrese aire al sistema y que éste se presurice. El aire presurizado puede causar que la tapa se separe, lo que puede provocar heridas graves, la muerte o daño a la propiedad. A fin de evitar este riesgo potencial, siga las instrucciones que se mencionan arriba.



Acondicionamiento para el invierno

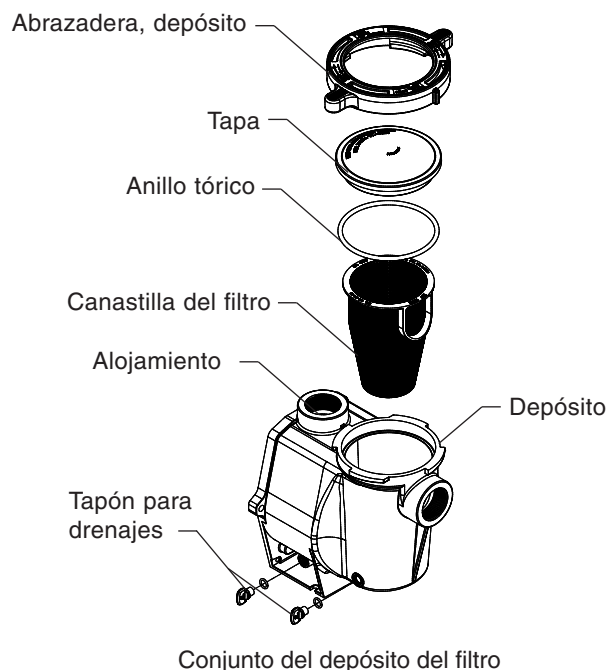
Usted es responsable de determinar cuándo es probable que se produzcan condiciones de congelamiento. Si se esperan temperaturas muy bajas, siga los pasos a continuación para reducir el riesgo de daños por congelamiento. **Los daños por congelamiento no están cubiertos por la garantía.**

Para evitar los daños por congelamiento, siga los procedimientos a continuación:

1. Apague la corriente eléctrica de la bomba en el disyuntor.
2. Retire los dos tapones de drenaje manual de la carcasa para drenar el agua de la carcasa de la bomba. Coloque los tapones en la canasta de la bomba.
3. Cubra el motor para protegerlo de lluvia fuerte, nieve y escarcha.

Nota: No envuelva el motor con plástico u otros materiales hermetizados durante el almacenamiento de invierno. El motor puede estar cubierto durante una tormenta, el almacenamiento de invierno, etc., pero nunca cuando esté funcionando o se espere que comience a funcionar.

En zonas de climas moderados, en caso de posibles condiciones de congelamiento temporales, haga funcionar el equipo de filtro toda la noche para evitar el congelamiento.





ADVERTENCIA Siempre desconecte la energía hacia la bomba en el interruptor de circuito antes de realizar el servicio a la bomba. Si no se hace esto, las personas que realizan el servicio, los usuarios u otras personas pueden resultar muertas o con heridas de gravedad debido al electrochoque. Lea todas las instrucciones de servicio antes de comenzar a trabajar en la bomba.



ADVERTENCIA **NO** abra el depósito del filtro si el cebado de la bomba falla o si la bomba ha estado funcionando sin agua en el depósito del filtro. Las bombas que funcionan en estas circunstancias pueden experimentar una acumulación de presión de vapor y pueden contener agua caliente escaldada. Si abre la bomba puede resultar herido de gravedad. Para evitar la posibilidad de lesiones personales, asegúrese de que las válvulas de succión y descarga estén abiertas y la temperatura del depósito del filtro esté fría para el tacto, luego ábrala con extrema precaución.



PRECAUCIÓN Asegúrese de no rayar o marcar las caras pulidas del sello del eje; el sello perderá si las caras se encuentran dañadas. Las caras pulidas y recubiertas del sello se podrían dañar si no son tratadas con cuidado.

Cuidado del motor

Protéjalo del calor

1. Cubra el motor del sol.
2. Cualquier caja del motor debe estar bien ventilada para evitar el sobrecalentamiento.
3. Proporcione amplia ventilación cruzada.

Protéjalo contra la suciedad.

1. Protéjalo contra cualquier materia extraña.
2. No almacene (o derrame) químicos sobre o cerca del motor.
3. Evite barrer o levantar polvo cerca del motor mientras está en funcionamiento.
4. Si un motor se daña por suciedad, la garantía del motor se anula.
5. Limpie la tapa y la abrazadera, el anillo tórico y la superficie de sellado del depósito de la bomba.

Protéjalo contra la humedad

1. Protéjalo contra las salpicaduras o pulverizaciones de agua.
2. Protéjalo de las temperaturas extremas.
3. Si un motor se moja, déjelo secar antes de ponerlo en funcionamiento. No permita que la bomba funcione si se ha inundado.
4. Si un motor se daña por agua, la garantía del motor se anula.

Nota: Cuando está reemplazando el motor, asegúrese que el soporte de motor está colocado correctamente para soportar el tamaño del motor que se está instalando.

El sello de eje

El sello de eje consiste principalmente en dos piezas, un miembro rotativo y un sello cerámico.

La bomba requiere de poco o de ningún mantenimiento además de atención razonable, sin embargo, podría ser que de vez en cuando se dañe el sello de eje y tenga que reemplazarse.

Nota: Las caras pulidas y labradas del sello se pueden dañar si no se usa con cuidado.

Desmontaje de bomba

Todas piezas móviles se encuentran en el montaje de abajo por atrás de esta bomba.

Herramientas requeridas:

- Llave de boca de 3/32 pulgada (.2381 cm)
- Llave de boca de 1/2 pulgada (15.24 cm).
- Llave de boca de 9/16 pulgada (1.429 cm).
- Destornillador con cabeza plana.
- Destornillador Phillips N.º 2

Para quitar y reparar el montaje de abajo del motor ejecute los siguientes procedimientos:

1. Apague el cortacircuito de bomba en el panel principal.
2. Vacíe la bomba al quitar los tapones de drenaje.
3. Quite los 6 pernos que sujetan el cuerpo de bomba principal (olla de colador/voluta) al montaje de abajo por atrás.
4. **SUAVEMENTE** separe las dos mitades de bomba, quitando el montaje de abajo por atrás.
5. Use una llave de boca de 3/32 pulgada (.2381 cm) para desapretar los dos tornillos que soportan y que se encuentran en el difusor.
6. Mantenga el impulsor seguramente en lugar y quite el tornillo de llave del impulsor al usar un desatornillador Phillips N.º 2. Este tornillo tiene rosca a mano izquierda y se desaprieta en el sentido de las agujas del reloj.
7. Quite la tapa del eje que se encuentra en la parte de atrás del motor y mantenga el eje seguro con una llave de boca de 1/2 pulgada (15.24 cm).
8. Para destornillar el impulsor del eje, déle vuelta al impulsor en el sentido opuesto de las agujas del reloj.
9. Quite los cuatro pernos de la placa de sello al motor, usando una llave de 9/16 pulgada (1.429 cm).



PRECAUCIÓN NO haga funcionar la bomba en seco. Si hace funcionar la bomba en seco, el sello mecánico se dañará y la bomba comenzará a perder. Si esto ocurre, deberá cambiar el sello dañado. SIEMPRE mantenga el nivel de agua adecuado. Si el nivel de agua cae por debajo del puerto de succión, la bomba extraerá aire del puerto de succión, perderá cebado y funcionará en seco, lo que dañará el sello. El funcionamiento continuo en este estado puede causar una pérdida de presión, lo que dañará la caja de la bomba, el impulsor y sello y puede provocar la pérdida de propiedad y lesiones personales.

Armar la bomba de nuevo

1. Cuando este instalando el sello mecánico de la flecha, use un sellador de silicón en la parte metálica de la flecha antes de presionar contra la placa de sello, y teniendo mucho cuidado de mantener el sellador de silicón alejado del la cara de sellado de la bomba. Asegúrese que el sello se encuentre completamente asentado y deje pasar 24 horas para permitir que el sellador seque. (Kit de remplazo completo con la placa de sello y el sello mecánico esta disponible, P/N 350201/350101.)
2. Antes de instalar la sección cerámica del sello en el impulsor, asegúrese que el impulsor está limpio. Use un jabón de poca densidad y agua para sellar el sello. Empuje el sello en el impulsor con los dedos gordos y pase un paño para limpiar las caras cerámicas y de carbón.
3. Reinstalar de nuevo la placa de sello al motor. Ajustando los Pernos, 3/8-16 x 7/8 (2,22 cm) de cabeza hexagonal, a un torque de 7,91 Nm de manera cruzada (apretar uno de los pernos y después apretar el perno opuesto y repita la misma secuencia hasta que todos los pernos estén ajustados al torque requerido).
4. Limpie la rosca de la flecha y la rosca del impulsor, después enrosque el impulsor a la flecha del motor.
5. Atornille el tornillo de cierre del impulsor (en el sentido opuesto de las agujas del reloj para apretar).
6. Monte de nuevo el difusor en la placa de sello. Asegúrese que las clavijas plásticas y las inserciones de tornillos de mantener están alineado.
7. Engrase el anillo en O del difusor y empaque de placa de sello o el anillo en O antes de armar de nuevo.
8. Engrase las roscas de perno, arme el montaje de abajo del motor al cuerpo de olla de colar y bomba al usar los dos pernos que corren a través para tener alineamiento adecuado. Colocar los Pernos, 3/8 -16 x 2 de cabeza hexagonal 18-8 acero inoxidable (se requieren 2) a través de la placa de sellado y la voluta y no los ajuste hasta que los Pernos de 3/8, 16 x 1-1/4 (3,18 cm) cabeza hexagonal 18-8 acero inoxidable (se requieren 4) estén ajustados a mano. Ajustar todos los pernos a un torque de 12,43 Nm, de manera cruzada.
9. Llène la bomba con agua.
10. Instale de nuevo la tapa de bomba y abrazadera plástica; vea INSTRUCCIONES PARA ENCENDER DE NUEVO.
11. Prepare de nuevo el sistema.

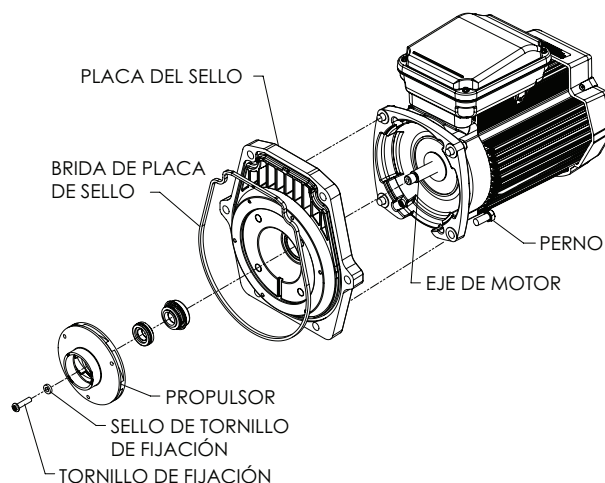
Instrucciones para encender de nuevo

Si se instala la bomba debajo del nivel de agua en la piscina, cierre las líneas de regreso y de aspiración antes de abrir la olla de pelo y pelusa en la bomba. Asegúrese de abrir de nuevo las válvulas antes de usar.

Imprimir la bomba

La olla de colador de bomba tiene que llenarse con agua antes de que se empiece la bomba inicialmente. Siga estos pasos para imprimir la bomba.

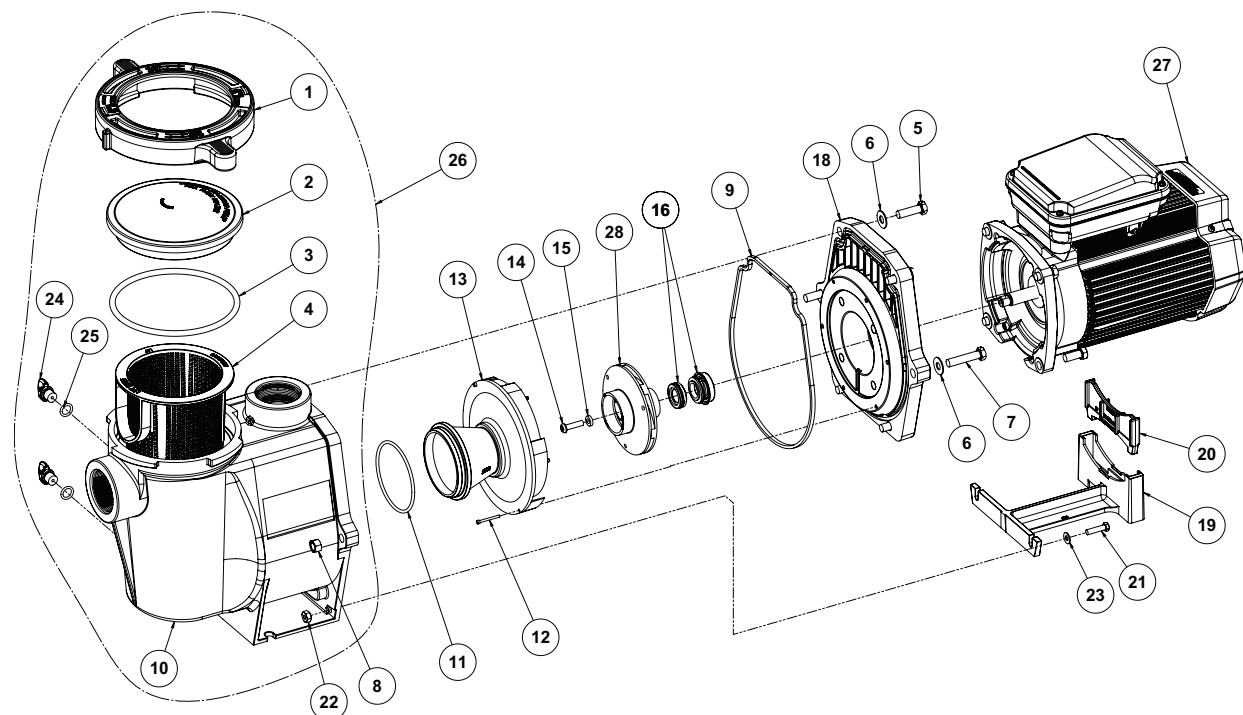
1. Quite la abrazadera plástica de la tapa de la bomba. Quite la tapa de la bomba.
2. Llène la olla de colador de bomba con agua.
3. Arme de nuevo el cubierto de bomba y abrazadera plástica en la olla de colador. Ahora la bomba está lista para imprimir.
4. Abra válvula de escape de aire en el filtro y manténgase a distancia del filtro.
5. Encienda el interruptor o reloj.
6. Cuando agua sale de la válvula de escape de aire, cierre la válvula. Este sistema ahora debe estar libre de aire y circulando agua de nuevo a la piscina y de vuelta.
7. Para bomba de 2 velocidades:
 - La bomba debe funcionar en alta velocidad para imprimir.
 - La bomba no debe funcionar por más de 8 minutos antes de que se logre imprimir.



LOCALIZADOR DE AVERÍAS

Problema	Posible causa	Medida correctiva
Si la bomba falla.	<p>La bomba no imprima – demasiado aire.</p> <p>La bomba no imprima—no hay agua suficiente</p> <p>El colador de bomba está atascado</p> <p>Empaque de colador de bomba defectuoso.</p>	<p>Revise la tubería de succión y las prensastopas en cualquier válvulas de puerta de aspiración. Cierre la tapa en la olla de coladora de bomba y asegúrese que el empaque de tapa está en lugar. Revise el nivel de agua para asegurarse que la desnatadora no está jalando aire.</p> <p>Asegúrese que las líneas de aspiración, el colador de bomba, y la voluta de bomba están llenas con agua.</p> <p>Asegúrese que la válvula en la línea de aspiración está funcionando y abierta, (algunos sistemas no tienen válvulas). Revise el nivel de agua para asegurarse que hay agua disponible a través de la desnatadora.</p> <p>Limpie la olla de coladora de bomba.</p> <p>Reemplazar empaque.</p>
Capacidad reducida y/o presión baja de agua.	<p>Bolsas de aire o fugas en la línea de aspiración.</p> <p>Impulsor atascado.</p> <p>Colador de bomba atascado.</p>	<p>Revise la tubería de succión y las prensastopas en cualquier válvulas de puerta de aspiración. Cierre la tapa en la olla de coladora de bomba y asegúrese que el empaque de tapa está en lugar. Revise el nivel de agua para asegurarse que la desnatadora no está jalando aire.</p> <p>Apague la energía eléctrica en los interruptores de circuito de la bomba.</p> <p>Desensamblar (Referir a Desensamblaje de la bomba, página 16).</p> <p>Remover la basura del impulsor, si la basura no pueden ser removida por complete, siga las siguientes instrucciones:</p> <ol style="list-style-type: none"> 1. Remueva el Tornillo de 1/4, 20x1, LH, Phillips MS 18-8 de acero inoxidable y la arandela de goma del impulsor. 2. Remueva el impulsor, termine de limpiarlo y vuelva a instalar. <p>Reensamblar (Referir a Armar la bomba de nuevo, página 17).</p> <p>Limpie el depósito de aspiración.</p>

PIEZAS DE REEMPLAZO



Núm. artículo	P/N	Descripción
1	357199	Abrazadera, Almendra
	357150	Abrazadera, Negro
2	357151	Tapa, transparente
	357156	Tapa, resistente química
3	350013	Tapa Anillo en O
4	070387	Canastilla del filtro
5	070430	Perno, 3/8 - 16 x 1,25, cabeza hexagonal acero inox, 4 Req.
6	072184	Arandelas, 3/8 x 13/16 O.D. acero inox, 6 Req.
7	070431	Perno, 3/8 - 16 x 1,75, cabeza hexagonal acero inox, 2 Req.
8	071403	Tuerca, 3/8, 16 hex hd., 2 req.
9	357100	Placa de sello de Empaque, Negro
10	357149	Voluta & placa de sello, Almendra Kit de reemplazo
	350015	Voluta & Olla, Almendra
	357157	Voluta & Olla, Negro ❶
11	355227	Anillo en O Parker, #2-238
12	071660	Tornillo de Tope, #4-40 X 1-1/8 SFE, 2 req.
13	072928	Montaje de Difusor, WFE- 12, Sólo 3 HP
	072927	Montaje de Difusor, WFE- 2-8, 1/2 HP – 2.5 HP
14	071652	Tornillo de Tope, 1/4, 20 x 1 lh. Phillips
15	075713	Arandela de Hule

Núm. de artículo	P/N	Descripción
16	071734S	Sello PA-7 con Asiento Ceramico, PS1000 ❶
	071732S	Sello, resistente al ozono/la sal
	071728	Sello A7 con Asiento Ceramico, PS201
17	070429	Perno, 3/8, 16 x 7/8 s/s hex hd., 4 req.
18	350201	Placa de Sello Juego, Almendra (Incluye sello mecánico instalado) # 9, 16 & 18
	350101	Placa de Sello Juego WFE, Negro (Incluye sello mecánico instalado) # 16 & 18
19	070927	Pie, Almendra
	357159	Pie, Negro ❶
20	070929	Inserción de Pie, Almendra ❶
	357160	Inserción de Pie, Negro
21	071657	Tornillo, 1/4, 20 x 1 pulg. hex hd. s/s, 2 req.
22	071406	Tuerca, 1/4, 20 hex. hd. s/s, 2 req.
23	072183	Tuerca, 1/4, 20 hex. hd. s/s, 2 req.
24	071131	Tapón con Perilla para Desagüe, Almendra 2 req.
24	357161	Tapón con Perilla para Desagüe, Negro 2 req. ❶
25	192115	Tapón de Desagüe de O-anillo, 2 req.
26	357149	Juego para Reemplazar Voluta/Placa de Sello, Almendra (Incluye #1-4, 9, 10, 16, 18, 24, and 25)
-	357923Z	Kit protector de ventilador, TEFC/Súper deber
27		<i>Página siguiente</i>

Número de artículo	Núm. de pieza	Descripción Motores
27	355008S	3/4 HP, 60 Hz, WFE-2, 3 & 24, 1 spd., Almendra, 31 lbs. ②
27	355010S	1 HP, 60 Hz, WFE-4 & 26, 1 spd., Almendra,, 33 lbs. ②
27	355012S	1-1/2 HP, 60 Hz, WFE-6 & 28, 1 spd., Almendra,, 39 lbs. ②
27	355014S	2 HP, 60 Hz, WFE-8 & 30, 1 spd., Almendra,, 40 lbs. ②
27	355016S	3 HP, 60 Hz, WFE-12, 1 spd., Almendra, 40 lbs. ②
27	356630S	1 HP, WFDS-4 & 26, 2 spd., 34 lbs. ④
27	071320S	1-1/2 HP, WFDS-6 & 28, 2 spd., 36 lbs. ④
27	071321S	2 HP, WFDS-8 & 30, 2 spd., 45 lbs. ④
27	355018S	1/2 HP, WF-2 & 23, 1 spd., Almendra, 39 lbs. ③
27	355020S	3/4 HP, WF-3 & 24, 1 spd., Almendra, 26 lbs. ③
27	355022S	1 HP, WF-4 & 26, 1 spd., Almendra, 28 lbs. ③
27	355024S	1-1/2 HP, WF-6 & 28, 1 spd., 39 lbs. ③
27	355026S	2 HP, WF-8 & 30, 1 spd., 32 lbs. ③
27	355033S	3 HP, WF-12, 1 spd., Almendra, 40 lbs. ③
27	355203S	1 HP, WFK-4, 3 ph, 1 spd., Negro, 28 lbs.
27	355204S	1-1/2 HP, WFK-6, 3 ph, 1 spd., Negro, 30 lbs.
27	355205S	2 HP, WFK-8, 3 ph, 1 spd., Negro, 37 lbs.
27	355398S	3 HP, WFK-12, 3 ph, 1 spd., Negro, 35 lbs.
27	356626S	1 HP, WFK-4, 3 ph, 1 spd., Almendra, 28lbs.
27	356627S	1-1/2 HP, WFK-6, 3 ph, 1 spd., Almendra, 30lbs.
27	356628S	2 HP, WFK-8, 3 ph, 1 spd., Almendra, 37 lbs.
27	356629S	3 HP, WFK-12, 3 ph, 1 spd., Almendra, 35 lbs.
27	354805S	1 HP, WFK-4, Súper deber, 3 ph, 1 spd., Almendra, 28lbs.
27	354807S	1-1/2 HP, WFK-6, Súper deber, 3 ph., 1 spd., Almendra, 30lbs.
27	354809S	2 HP, WFK-8, Súper deber, 3 ph., 1 spd., Almendra, 36 lbs.
27	354811S	3 HP, WFK-12, Súper deber, 3 ph., 1 spd., Almendra, 39 lbs.
27	354821S	1 HP, WFET-4, TEFC, 1 ph., 1 spd., Almendra, 29 lbs.
27	354823S	1-1/2 HP, WFET-6, TEFC, 1 ph., 1 spd., Almendra, 31lbs.
27	354815S	2 HP, WFET-8, TEFC, 1 ph., 1 spd., Almendra, 37lbs.
27	354817S	3 HP, WFET-12, TEFC, 1 ph., 1 spd., Almendra, 41lbs.

Fondo Potencia Submontaje. Incluye Artículos: 12-18, 27-28

075136	WFE-2
075137	WFE-3, WFE-24
075138	WFE-4, WFE-26 ②
075139	WFE-6, WFE-28 ②
075140	WFE-8, WFE-30 ②
075141	WFE-12 ②
075145	WFDS-3, WFDS-24 ④
075142	WFDS-4, WFDS-26 ④
075143	WFDS-6, WFDS-28 ④
075144	WFDS-8, WFDS-30
075251	WF-2, WF-23 ③
075252	WF-3, WF-24 ③
075253	WF-4, WF-26 ③
075254	WF-6, WF-28 ③
075255	WF-8, WF-30 ③
075256	WF-12 ③

Fondo Líquido - Todas las Partes sin el Motor

075451	WFE-2 fluid end, 1/2 HP
075452	WFE-3 fluid end, 3/4 HP
075453	WFE-4 fluid end, 1 HP
075454	WFE-6 fluid end, 1-1/2 HP
075455	WFE-8 fluid end, 2 HP
075456	WFE-12 fluid end, 3 HP

- | | |
|---|---------------------------------|
| ① | CSA/CUL (sólo para Canadá. |
| ② | Energía eficiente, sola fase. |
| ③ | Eficiencia Estándar, sola fase. |
| ④ | Dos velocidad, sola fase. |

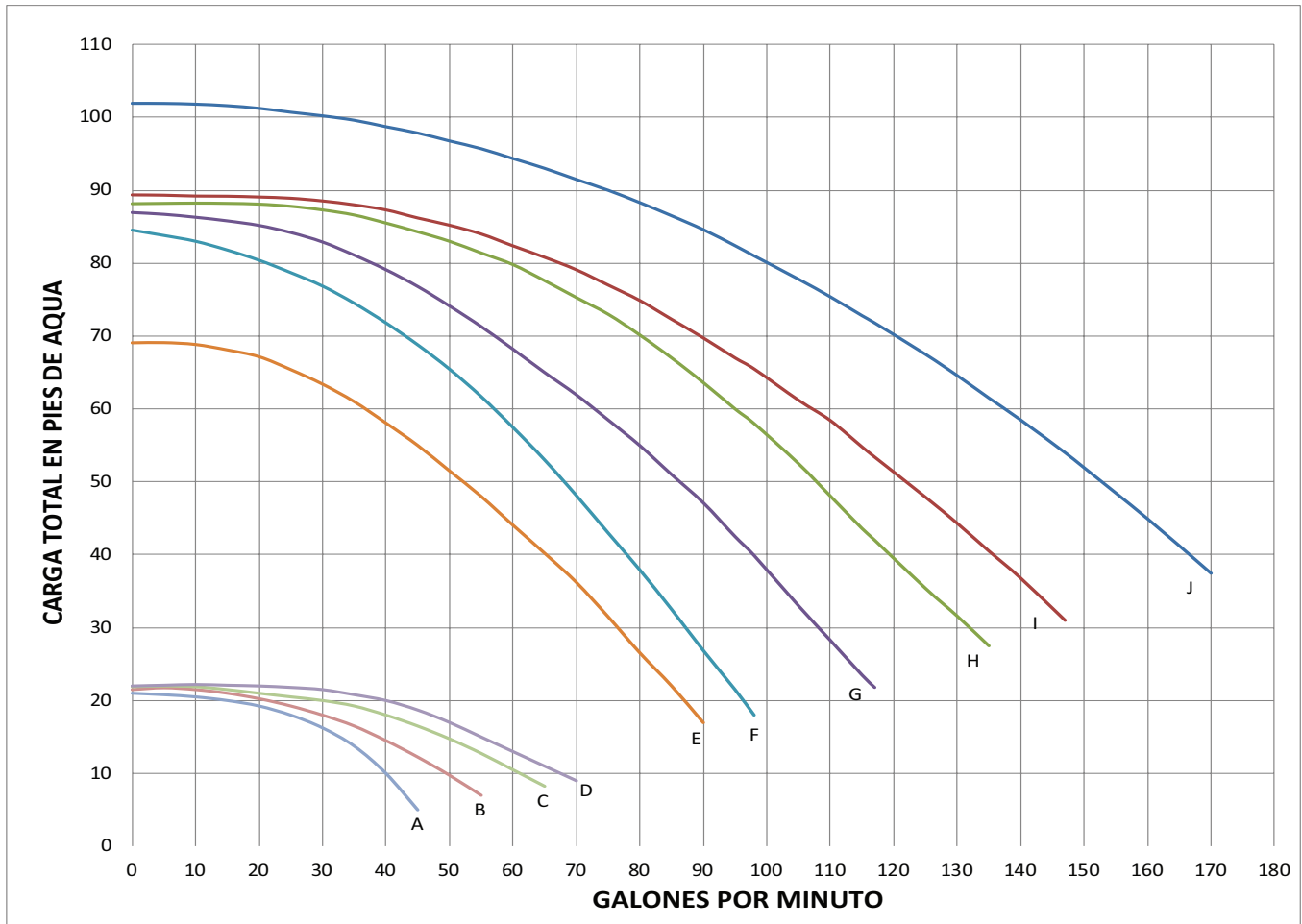
No Mostrado

79129900	2-Velocidad Toggle Interruptor
350202	Placa de Sello Juego: Placa de Sello (Almendra), Empaque (Negro), con instalado Sello (Incluye Artículos: 9, 16, & 18)
350203	Placa de Sello Juego: Placa de Sello (Negro), Empaque (Negro), con instalado Sello (Incluye Artículos: 9, 16, & 18)
357243	Olla la Asamblea, Almendra NPT. (Incluye Artículos: 1-4, 10, 24 [qty. 2], 25 [qty. 2])
357244	Olla la Asamblea, Negro NPT. (Incluye Artículos: 1-4, 10, 24 [qty. 2], 25 [qty. 2])

Tabla de impulsor

HP	TAMAÑO	NO. DE PIEZA STD.
1/2	WFE-2, WF-2, WF-23, WFK-2	073126
3/4	WFE-3, WFE-24, WF-3, WF-24, WFK-3, WFDS-24	073127
1	WFE-4, WFE-26, WFET-4, WF-4, WF-26, WFK-4, WFDS-4, WFDS-26	073128
1½	WFE-6, WFE-28, WFET-6, WF-6, WF-28, WFK-6, WFDS-6, WFDS-28	073129
2	WFE-8, WFE-30, WFET-8, WF-8, WF-30, WFK-8, WFDS-8, WFDS-30	073130
3	WFE-12, WFET-12, WF-12, WFK-12	073131

Curvas de rendimiento de la bomba



Curva	Modelo
A	WFDS-3, WFDS-24
B	WFDS-4, WFDS-26
C	WFDS-6, WFDS-28
D	WFDS-8, WFDS-30
E	WFE-2, WF-2, WF-23, WFK-2
F	WFE-3, WFE-24, WF-3, WF-24, WFK-3, WFDS-3, WFDS-24
G	WFE-4, WFE-26, WFET-4, WF-4, WF-26, WFK-4, WFDS-4, WFDS-26
H	WFE-6, WFE-28, WFET-6, WF-6, WF-28, WFK-6, WFDS-6, WFDS-28
I	WFE-8, WFE-30, WFET-8, WF-8, WF-30, WFK-8, WFDS-8, WFDS-30
J	WFE-12, WFET-12, WF-12, WFK-12

NOTES/NOTAS



1620 HAWKINS AVE., SANFORD, NC 27330 • (919) 566-8000
10951 WEST LOS ANGELES AVE., MOORPARK, CA 93021 • (805) 553-5000
WWW.PENTAIR.COM

All indicated Pentair trademarks and logos are property of Pentair. Third party registered and unregistered trademarks and logos are the property of their respective owners. Because we are continuously improving our products and services, Pentair reserves the right to change specifications without prior notice.

© 2021 Pentair. All rights reserved. This document is subject to change without notice.



P/N 071109 REV. M 1/19/21